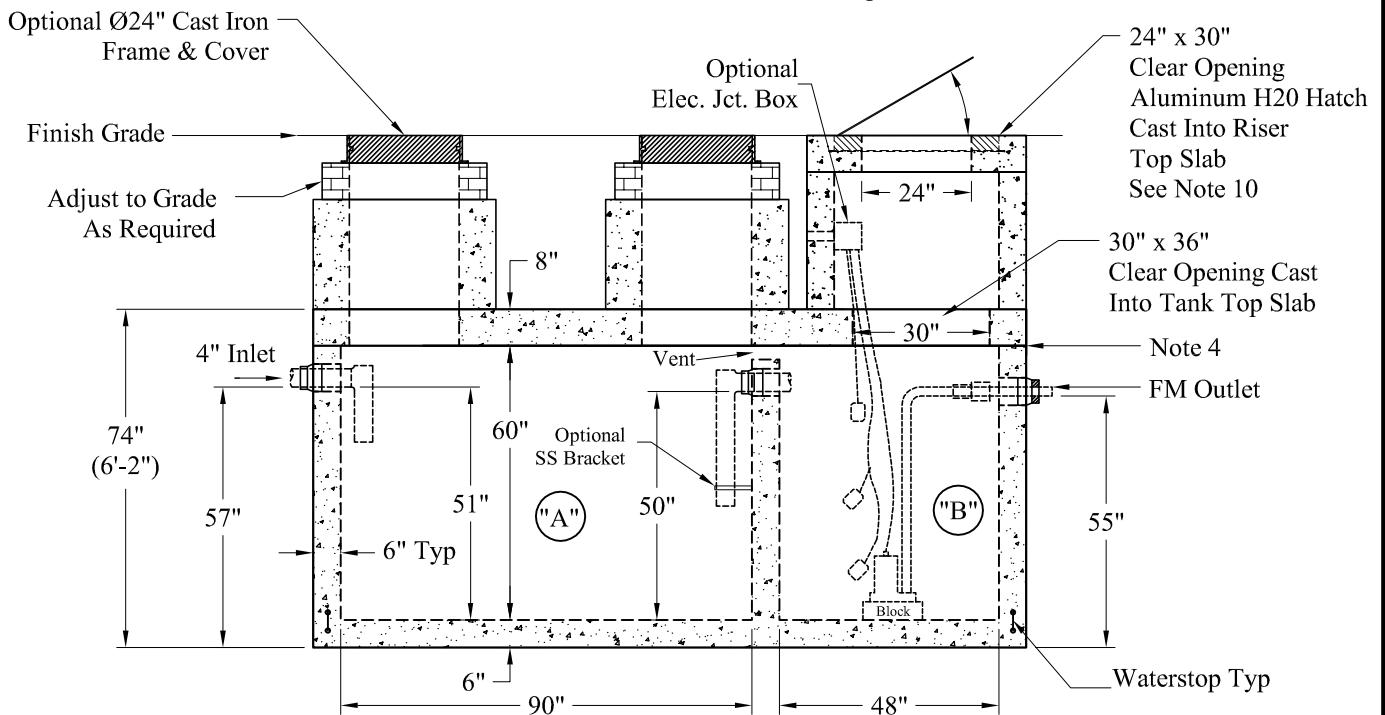


NOTE: A Pipe Bushing Will Be Required on all Boots with Pipes Less Than 4"



General Notes:

1. Steel Reinforcement Conforms to Latest ASTM Specifications: ASTM-A615 Grade 60 Rebar
2. Concrete: $f_c = 5,000$ psi @ 28 Days Minimum
3. Flexible Sleeves Provided On All Pipe Connections
4. Butyl Rubber Joint Sealant Provided
5. Internal PVC Baffles Available Upon Request
- Inlet: Shall Penetrate at Least 9" Below the Liquid Level, But Not Deeper Than the Outlet Baffle.
- Outlet: Shall Extend Below the Surface of the Liquid Equal to 40% of the Liquid Depth. (20")
6. Design Loading: AASHTO-HS20-44, ASTM C-890-06
7. Design Specified As: ASTM C-1227-08, ASTM C-913-08
8. Other Inlet/Outlet Pipe Sizes Available
9. "A" Liquid Levels: = 338 Gals/VF (28 Gals/In)
"B" Liquid Levels: = 180 Gals/VF (15 Gals/In)
4": "A" = 1,380 Gallons 6": "A" = 1,350 Gallons
"B" = 720 Gallons "B" = 705 Gallons
10. Larger Hatch Sizes Are Available

Pumps and Related Accessories are Optional. Junction Box And Electrical Connections Installed By Others

Est Weights:
Top Slab - 8,100 Lbs
Base - 23,100 Lbs
Total: 31,200 Lbs

Elevations:	
Rim:	
Invert In:	
Alarm On:	
Pump On:	
Pump Off:	
Inside Floor:	

Phoenix Precast Products	1,300 / 700 Gallon
	2 Compartment HS-20 Duplex Pump Tank