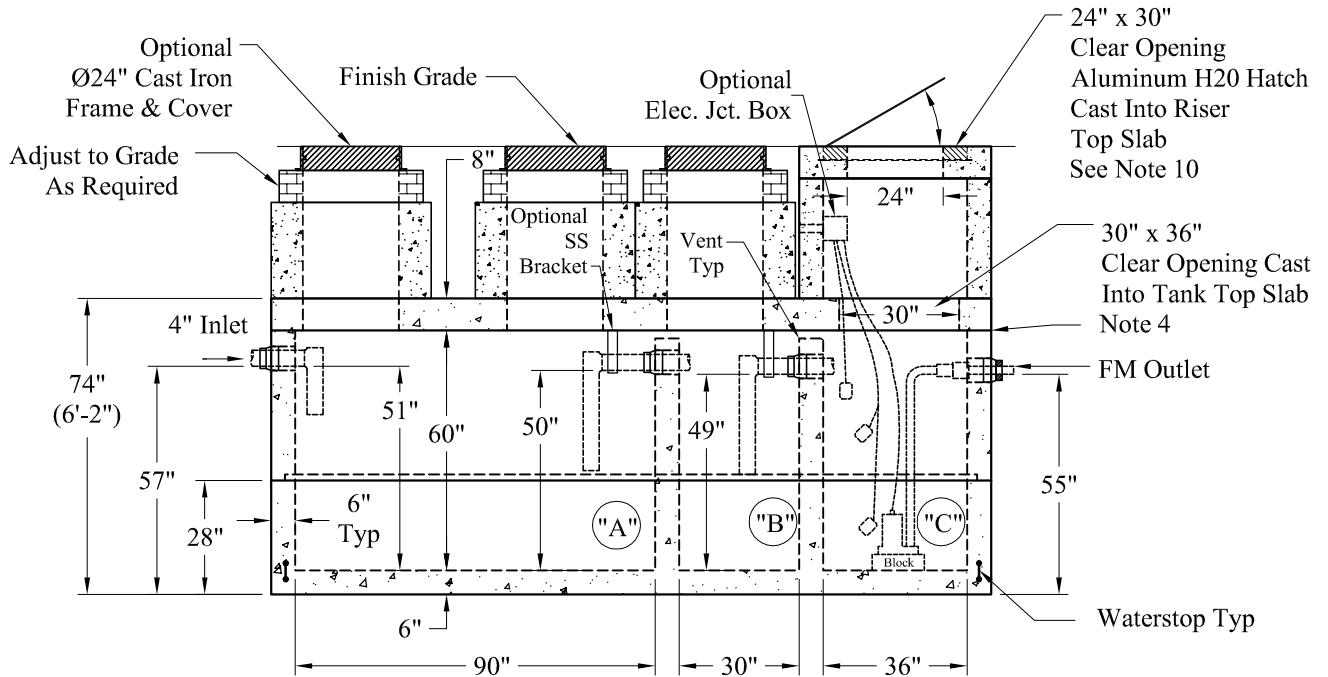


NOTE: A Pipe Bushing Will Be Required on all Boots with Pipes Less Than 4"



- General Notes:**
- Steel Reinforcement Conforms to Latest ASTM Specifications: ASTM-A615 Grade 60 Rebar
  - Concrete:  $f_c = 5,000$  psi @ 28 Days Minimum
  - Flexible Sleeves Provided On All Pipe Connections
  - Butyl Rubber Joint Sealant Provided
  - Internal PVC Baffles Available Upon Request  
 Inlet: Shall Penetrate at Least 9" Below the Liquid Level, But Not Deeper Than the Outlet Baffle.  
 Outlet: Shall Extend Below the Surface of the Liquid Equal to 40% of the Liquid Depth. (19")
  - Design Loading: AASHTO-HS20-44, ASTM C-890-06
  - Design Specified As: ASTM C-1227-08, ASTM C-913-08
  - Other Inlet/Outlet Pipe Sizes Available
  - "A" Liquid Levels: = 366 Gals/VF (31 Gals/In)  
 "B" Liquid Levels: = 122 Gals/VF (10 Gals/In)  
 "C" Liquid Levels: = 146 Gals/VF (12 Gals/In)
  - 4": "A" = 1,556 Gallons    6": "A" = 1,526 Gallons  
 "B" = 498 Gallons        "B" = 488 Gallons  
 "C" = 584 Gallons        "C" = 572 Gallons
  - Larger Hatch Sizes Are Available

Pumps and Related Accessories are Optional. Junction Box And Electrical Connections Installed By Others

Est Weights:

Top Slab -	11,100 Lbs
3' Riser -	12,450 Lbs
Base -	16,630 Lbs
<b>Total:</b>	<b>40,180 Lbs</b>

<b>Elevations:</b>	
Rim:	
Invert In:	
Alarm On:	
Pump On:	
Pump Off:	
Inside Floor:	

<b>Phoenix Precast Products</b>	1,500 / 440 / 575 Gallon 3 Compartment HS-20 Duplex Pump Tank