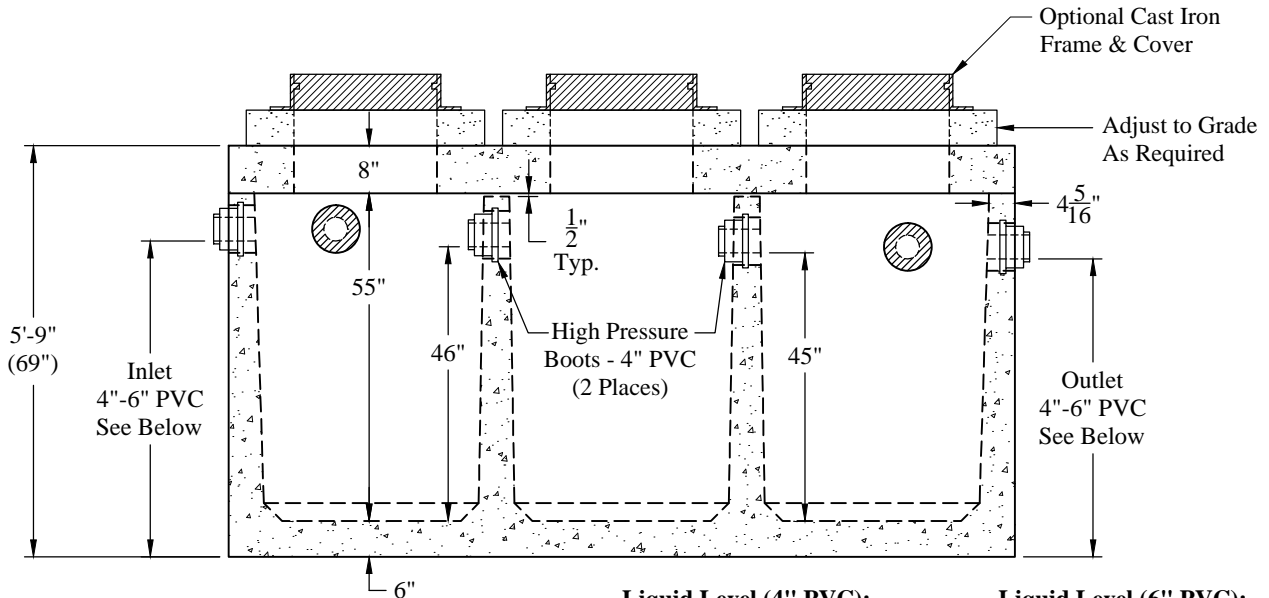
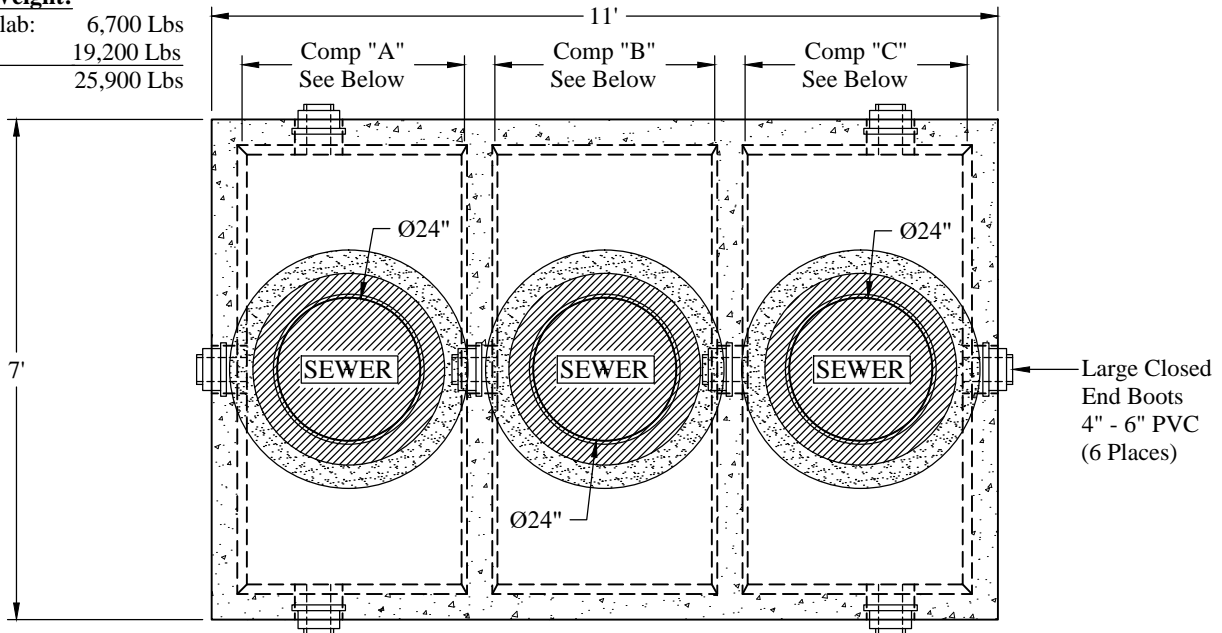


1-800-639-2199

Fax (603) 224-2927

Est. Weight:

Top Slab: 6,700 Lbs
 Base: 19,200 Lbs
 Total: 25,900 Lbs



4" PVC Inverts: Inlet - 53" Outlet - 50"
6" PVC Inverts: Inlet - 52" Outlet - 49"

Liquid Level (4" PVC):

Compartment "A"
 6.17' x 3.08' = 142.5 Gals/VF
 @ 3.83' = 545 Gals
Compartment "B"
 6.17' x 3.08' = 142.5 Gals/VF
 @ 3.75' = 534 Gals
Compartment "C"
 6.17' x 3.08' = 142.5 Gals/VF
 @ 3.67' = 522 Gals

Liquid Level (6" PVC):

Compartment "A"
 6.17' x 3.08' = 142.5 Gals/VF
 @ 3.83' = 545 Gals
Compartment "B"
 6.17' x 3.08' = 142.5 Gals/VF
 @ 3.75' = 534 Gals
Compartment "C"
 6.17' x 3.08' = 142.5 Gals/VF
 @ 3.58' = 510 Gals

General Notes:

1. Concrete: $f_c = 5,000$ psi @ 28 Days Minimum
2. Steel Reinforcement Conforms to Latest ASTM Specifications: ASTM-A615 Grade 60 Rebar
3. Flexible Sleeves Provided On All Pipe Connections
4. Butyl Rubber Joint Sealant Provided
5. Internal PVC Baffles Available Upon Request
- Inlet: Shall Penetrate at Least 9" Below the Liquid Level, But Not Deeper Than the Outlet Baffle.
- Outlet: Shall Extend Below the Surface of the Liquid Equal to 40% of the Liquid Depth (24").
6. Design Loading: AASHTO-HS20-44, ASTM C-890-06
7. Design Specified As: ASTM C-1227-08, ASTM C-913-08
8. Other Inlet/Outlet Pipe Sizes Available

Phoenix
 Precast
 Products

1,500 Gallon
 (500/500/500)
 3 Comp H2O

P/N: ST-500/500/500H2O

77 Regional Drive

Concord, NH 03301

Phoenix Precast Products

Phoenix Precast Products

Tanks/Specialty Steel Form: 3 Comp H2O, 1500 Gal., 3 Comp H2O, 500-500-500 Steel Form Tank Sales, Rev3