

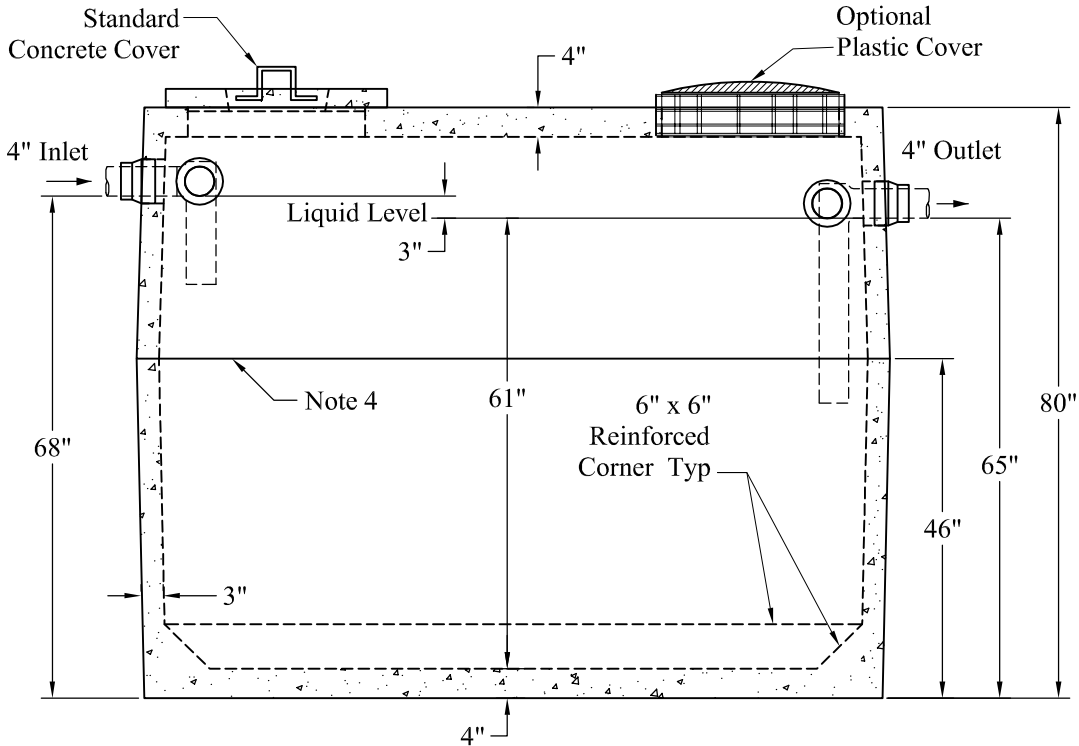
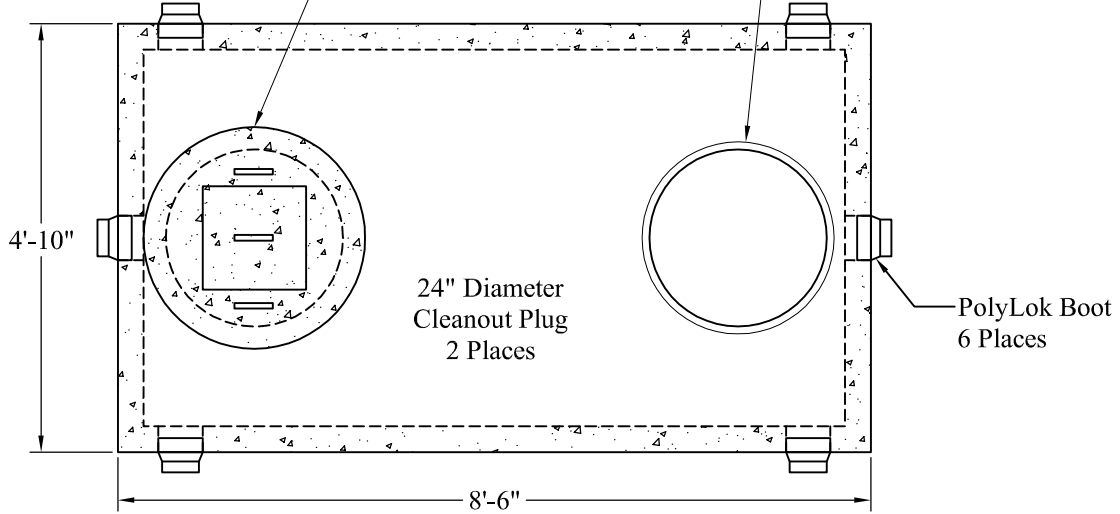
1-800-639-2199

Fax (603) 224-2927

Tanks\Standard\1,250 Gal\1250 Gal LD Septic Tank

Standard Cover Configuration
Is (2) 24" Dia Concrete Covers

Optional Cover Configuration
Is (2) 24" Dia Plastic Risers
Cast In, With Plastic Covers



General Notes

1. Steel Reinforcement Conforms to Latest ASTM Specifications: ASTM-A615 Grade 60 Rebar
 2. Concrete: $f_c = 4,000$ psi @ 28 Days Minimum
 3. Flexible Sleeves Used On All Pipe Openings
 4. Butyl Rubber Joint Sealant Provided
 5. Internal PVC Baffles Available
- Inlet: Shall Penetrate at Least 9" Below the Liquid Level, But Not Deeper Than the Outlet Baffle.
- Outlet: Shall Extend Below the Surface of the Liquid Equal to 40% of the Liquid Depth (25").
6. LD Tanks: 3' Cover Max, Non-Traffic

Est Weight:

Upper: 4,340 Lbs
 Lower: 5,600 Lbs
 Total: 9,940 Lbs

Phoenix
Precast
Products

1,250 Gallon
LD Septic Tank

P/N: ST-1250RLD

Phoenix Precast Products

Phoenix Precast Products