

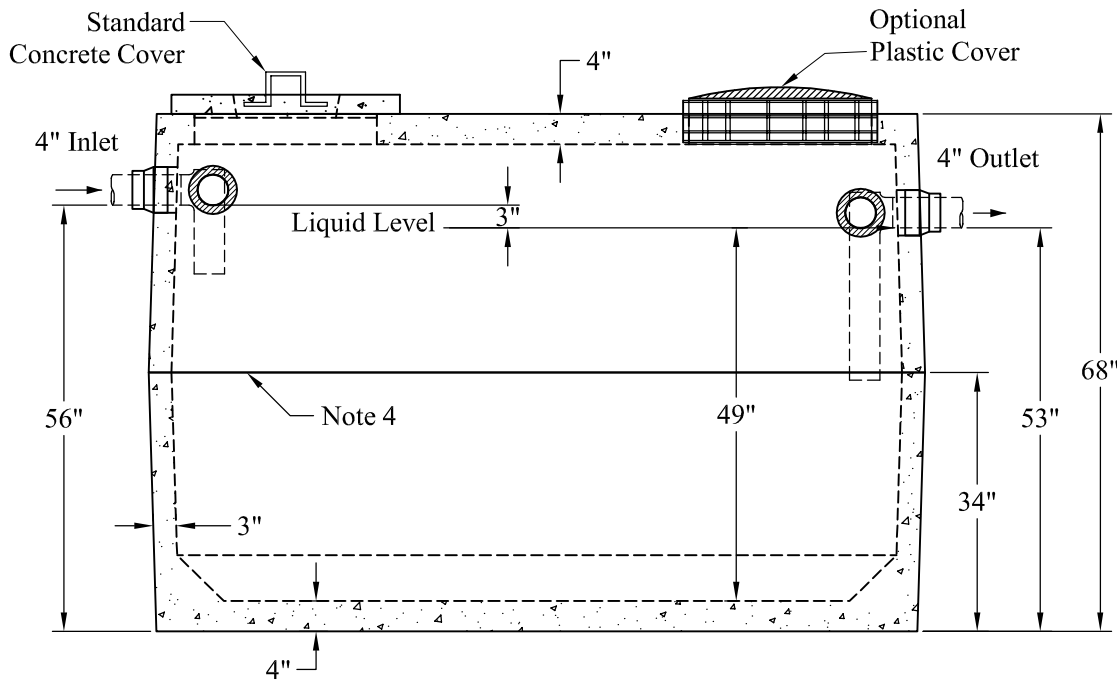
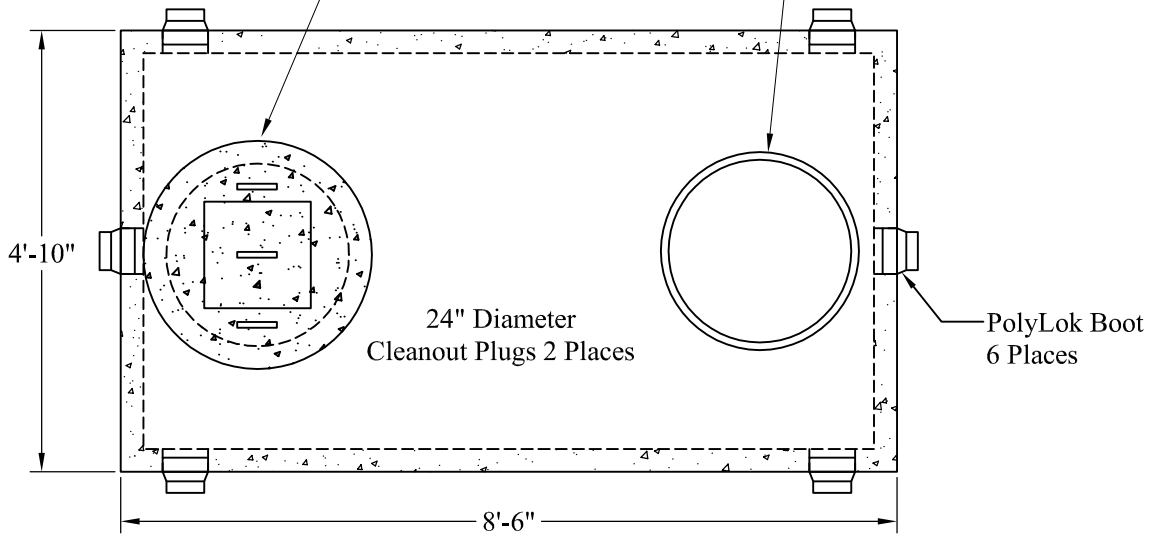
1-800-639-2199

Fax (603) 224-2927

Tanks\Standard\1,000 Gal\1000 Gal HD Septic Tank

Standard Cover Configuration  
Is (2) 24" Dia Concrete Covers

Optional Cover Configuration  
Is (2) 24" Dia Plastic Risers  
Cast In, With Plastic Covers



**General Notes**

1. Steel Reinforcement Conforms to Latest ASTM Specifications: ASTM-A615 Grade 60 Rebar
  2. Concrete:  $f_c = 4,000$  psi @ 28 Days Minimum
  3. Flexible Sleeves Used On All Pipe Openings
  4. Butyl Rubber Joint Sealant Provided
  5. Internal PVC Baffles Available
- Inlet: Shall Penetrate at Least 9" Below the Liquid Level, But Not Deeper Than the Outlet Baffle.
- Outlet: Shall Extend Below the Surface of the Liquid Equal to 40% of the Liquid Depth (20").
6. HD Tanks: 3' - 6' Cover Max, Non-Traffic

Est. Weight:  
 Upper: 4,340 Lbs  
 Lower: 4,600 Lbs  
 Total: 8,940 Lbs

Phoenix  
Precast  
Products

1,000 Gallon  
HD Septic Tank

P/N: ST-1000RHD

Concord, NH 03301