

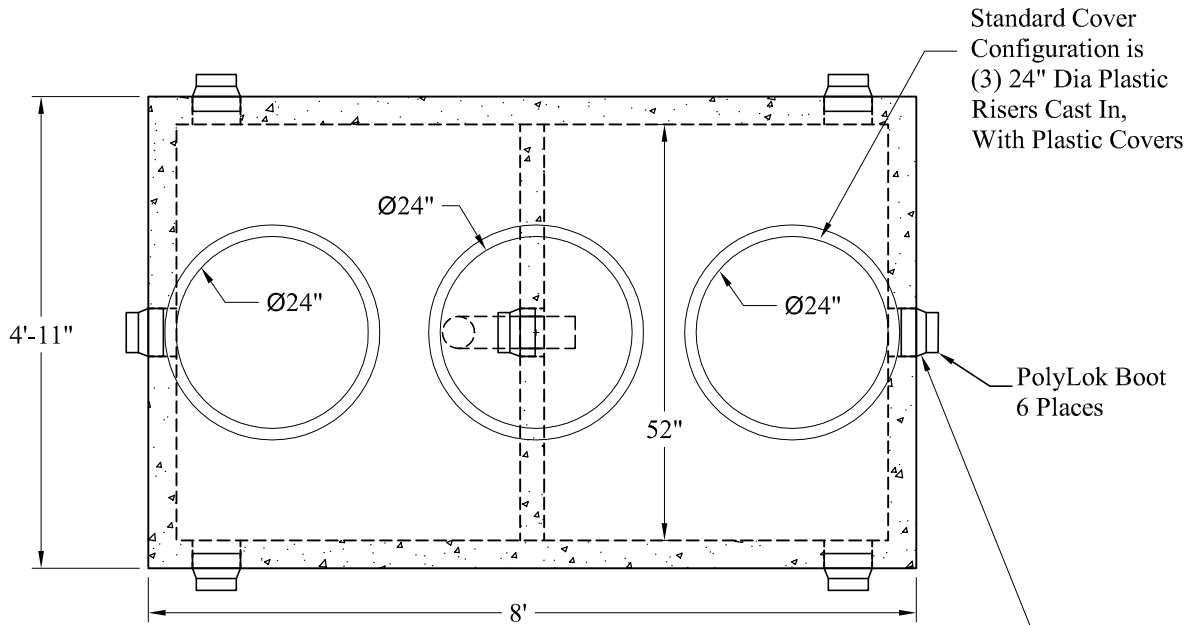
1-800-639-2199

Fax (603) 224-2927

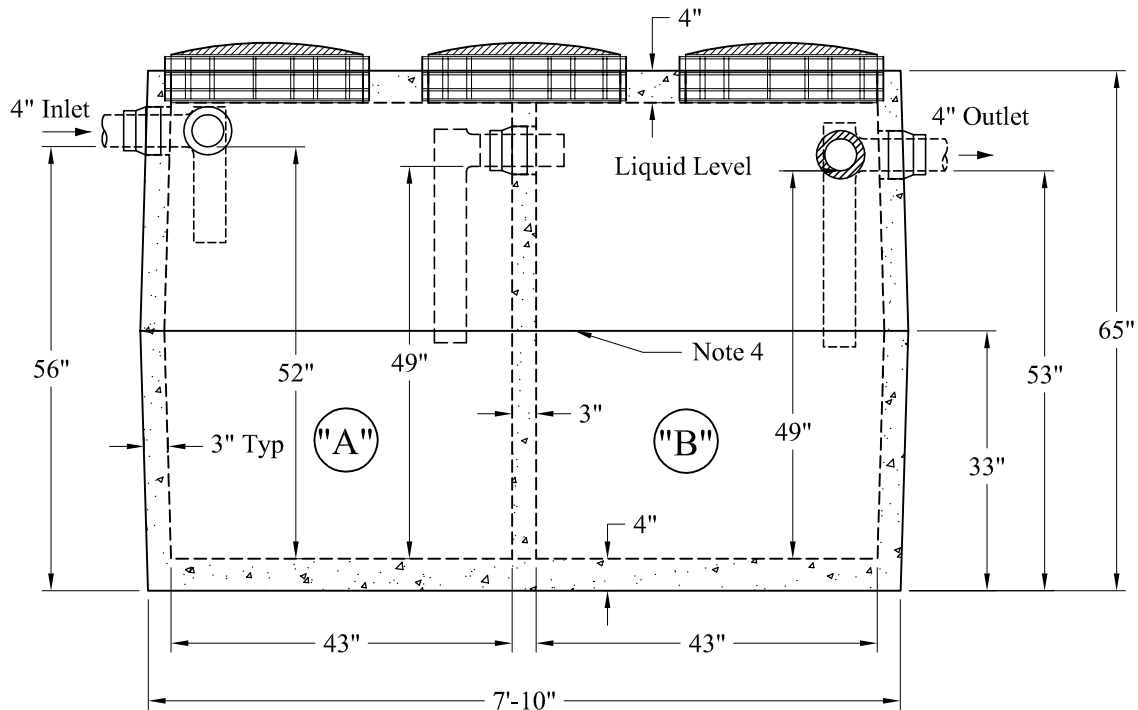
Tanks\Compartment\ 2 Comp\1000 Light Duty 500-500 2-Comp

Phoenix Precast Products

Phoenix Precast Products



NOTE: A Pipe Bushing Will Be Required On All Boots with Pipes Less Than 4"



General Notes

1. Steel Reinforcement Conforms to Latest ASTM Specifications: ASTM-A615 Grade 60 Rebar
2. Concrete: $f_c = 4,000$ psi @ 28 Days Minimum
3. Flexible Sleeves Used On All Pipe Openings
4. Butyl Rubber Joint Sealant Provided
5. Internal PVC Baffles Available
- Inlet: Shall Penetrate at Least 9" Below the Liquid Level, But Not Deeper Than the Outlet Baffle.
- Outlet: Shall Extend Below the Surface of the Liquid Equal to 40% of the Liquid Depth (20").
6. LD Tanks: 3' Cover Max, Non-Traffic

"A" Liquid Level = 116 Gals/VF (10 Gals/In)

"B" Liquid Level = 116 Gals/VF (10 Gals/In)

"A" = 473 Gals

"B" = 469 Gals

Total = 942 Gals

Est Weight:

Upper: 4,400 Lbs

Lower: 4,400 Lbs

Total: 8,800 Lbs

Phoenix
Precast
Products

500/500 Gallon LD
2 Compartment Tank

P/N: ST-500/500LD

Concord, NH 03301