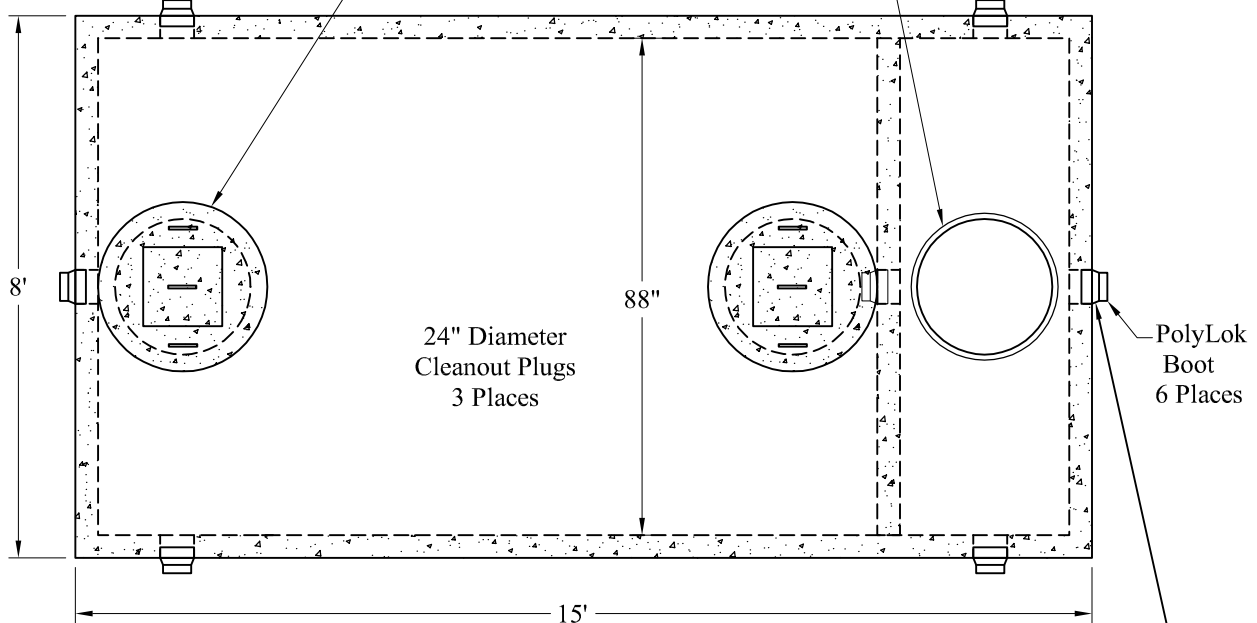
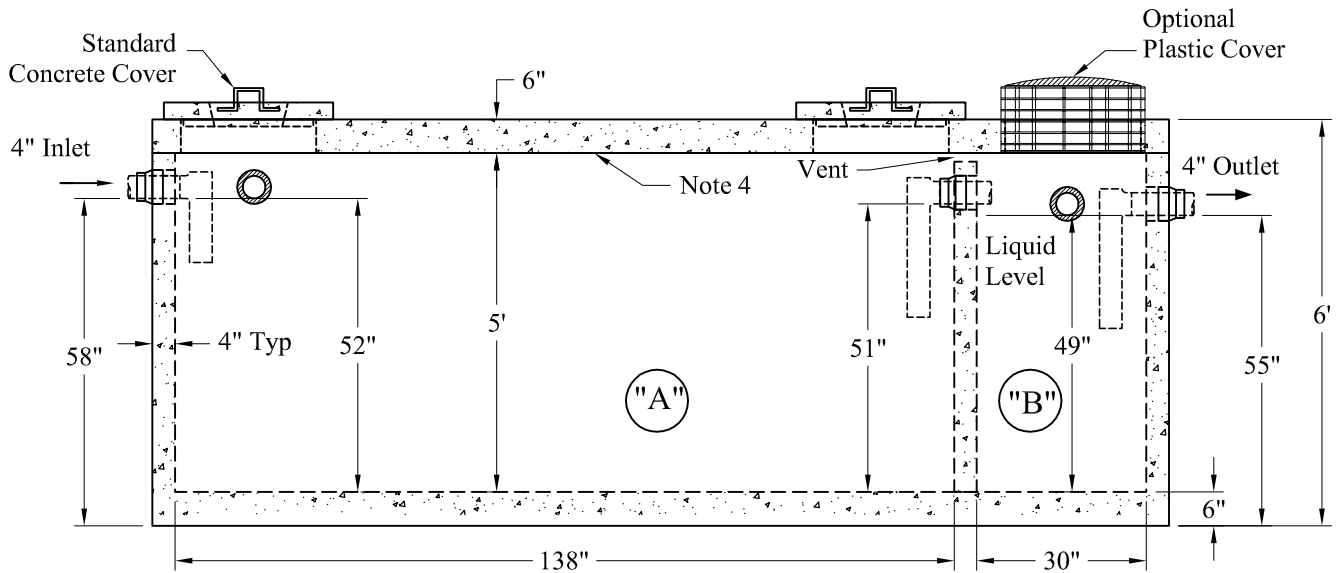


Standard Cover Configuration
Is (3) 24" Dia Concrete Covers

Optional Cover Configuration
Is (3) 24" Dia Plastic Risers
Cast In, With Plastic Covers



NOTE: A Pipe Bushing Will Be Required
On All Boots with Pipes Less Than 4"



General Notes

1. Steel Reinforcement Conforms to Latest ASTM Specifications: ASTM-A615 Grade 60 Rebar
 2. Concrete: $f_c = 4,000$ psi @ 28 Days Minimum
 3. Flexible Sleeves Used On All Pipe Openings
 4. Butyl Rubber Joint Sealant Provided
 5. Internal PVC Baffles Available
- Inlet: Shall Penetrate at Least 9" Below the Liquid Level, But Not Deeper Than the Outlet Baffle.
- Outlet: Shall Extend Below the Surface of the Liquid Equal to 40% of the Liquid Depth (20").
6. HD Tanks: 3' -6' Cover Max, Non-Traffic

"A" Liquid Level = 632 Gals/VF (53 Gals/In)

"B" Liquid Level = 137 Gals/VF (11 Gals/In)

Est Weights:

"A" = 2,688 Gallons

Top Slab: 8,200 Lbs

"B" = 561 Gallons

Base: 21,600 Lbs

3,349 Gallons

Total: 29,800 Lbs

Phoenix
Precast
Products

2,650/500 Gallon
HD 2 Compartment
Top Seam Tank

P/N: ST-2650/500HD