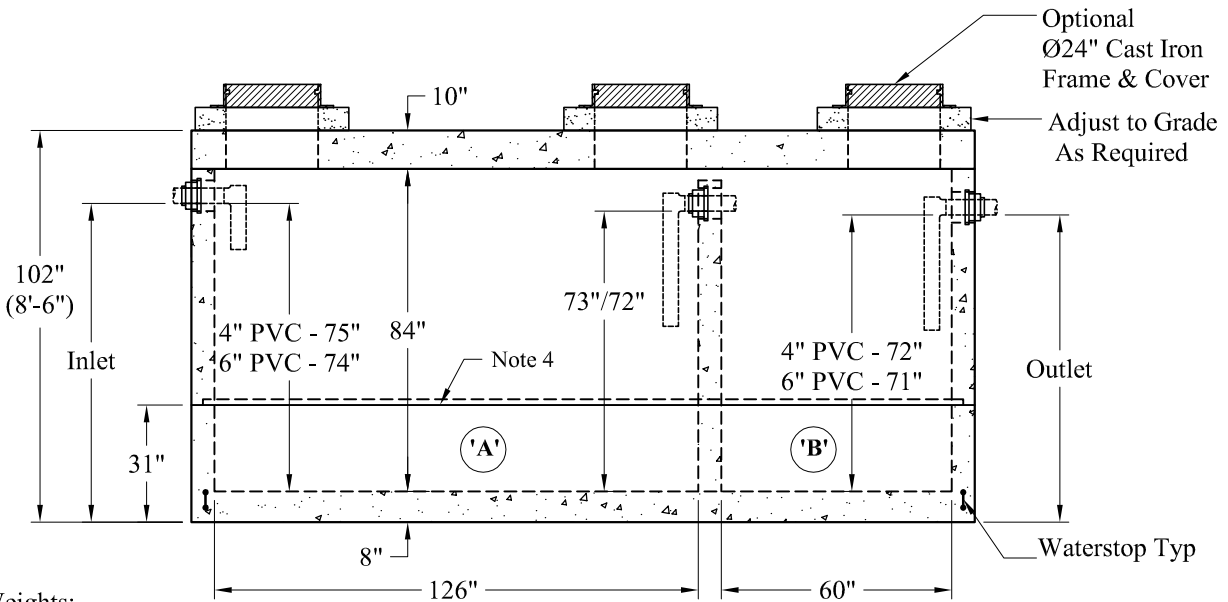


NOTE: A Pipe Bushing Will Be Required On All Boots with Pipes Less Than 4"



Est Weights:  
 Top Slab - 21,000 Lbs  
 5' Riser- 22,600 Lbs  
 Base - 25,850 Lbs  
 Total: 69,450 Lbs

"A" Liquid Levels: = 708 Gals/VF (59 Gals/In)  
 "B" Liquid Levels: = 337.5 Gals/VF (28 Gals/In)  
 4" PVC Inverts:  
 Inlet-83"  
 Outlet-80"  
 4": "A" = 4,304 Gallons  
 "B" = 2,025 Gallons  
 6" PVC Inverts:  
 Inlet-82"  
 Outlet-79"  
 6": "A" = 4,248 Gallons  
 "B" = 1,998 Gallons

General Notes:

1. Steel Reinforcement Conforms to Latest ASTM Specifications: ASTM-A615 Grade 60 Rebar
2. Concrete:  $f_c = 5,000$  psi @ 28 Days Minimum
3. Flexible Sleeves Provided On All Pipe Connections
4. Butyl Rubber Joint Sealant Provided
5. Internal PVC Baffles Available Upon Request
- Inlet: Shall Penetrate at Least 9" Below the Liquid Level, But Not Deeper Than the Outlet Baffle.
- Outlet: Shall Extend Below the Surface of the Liquid Equal to 40% of the Liquid Depth (29").
6. Design Loading: AASHTO-HS20-44, ASTM C-890-06
7. Design Specified As: ASTM C-1227-08, ASTM C-913-08
8. Other Inlet/Outlet Pipe Sizes Available

Phoenix  
 Precast  
 Products

4,000/2,000 Gallon  
 2 Compartment  
 HS-20 Tank

P/N: