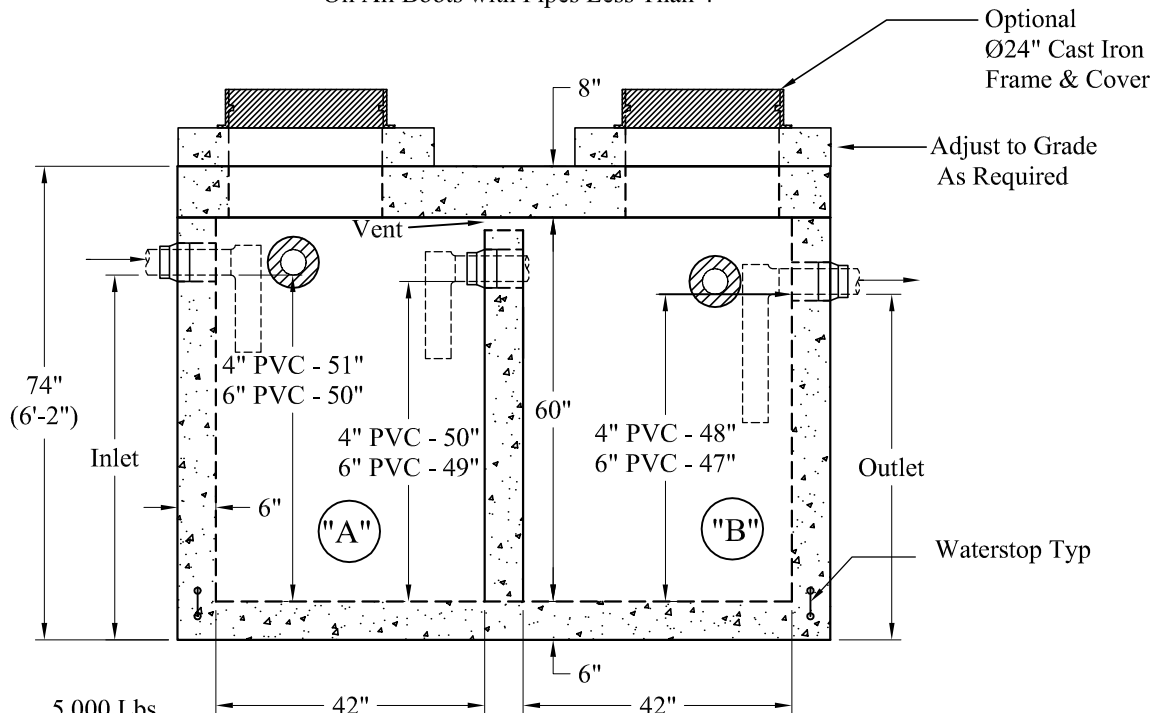


NOTE: A Pipe Bushing Will Be Required On All Boots with Pipes Less Than 4"



Weights:
 Top Slab - 5,000 Lbs
 Base - 14,850 Lbs
 Total Weight: 19,850 Lbs

General Notes:

1. Steel Reinforcement Conforms to Latest ASTM Specifications: ASTM-A615 Grade 60 Rebar
2. Concrete: $f_c = 5,000$ psi @ 28 Days Minimum
3. Flexible Sleeves Provided On All Pipe Connections
4. Butyl Rubber Joint Sealant Provided
5. Internal PVC Baffles Available Upon Request
- Inlet: Shall Penetrate at Least 9" Below the Liquid Level, But Not Deeper Than the Outlet Baffle.
- Outlet: Shall Extend Below the Surface of the Liquid Equal to 40% of the Liquid Depth (19").
6. Design Loading: AASHTO-HS20-44, ASTM C-890-06
7. Design Specified As: ASTM C-1227-08, ASTM C-913-08
8. Other Inlet/Outlet Pipe Sizes Available

"A" Liquid Levels: = 131 Gals/VF(11Gals/In)
 "B" Liquid Levels: = 131 Gals/VF(11Gals/In)
 4": "A"= 546 Gallons
 "B"= 524 Gallons
 6": "A"= 534 Gallons
 "B"= 513 Gallons

4" PVC Inverts:
 Inlet-57"
 Outlet-54"
 6" PVC Inverts:
 Inlet-56"
 Outlet-53"

**Phoenix
 Precast
 Products**

**500 / 500
 2 Compartment
 H-20 Tank**

P/N: ST-500/500H20