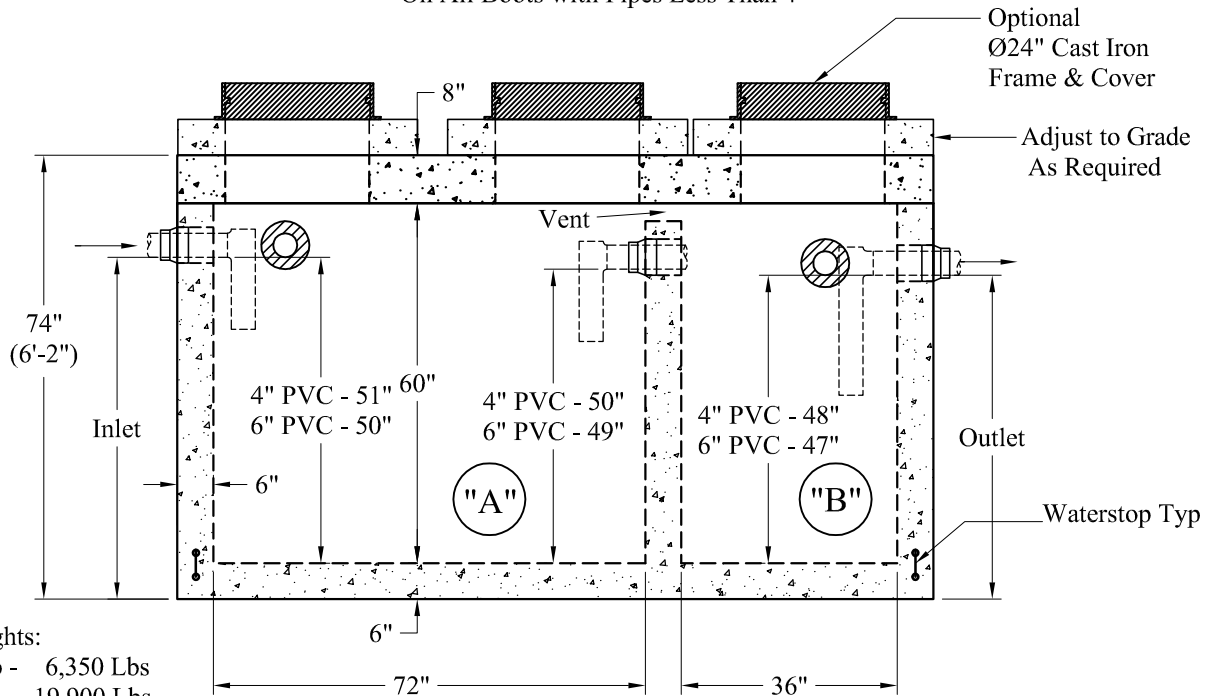


NOTE: A Pipe Bushing Will Be Required  
On All Boots with Pipes Less Than 4"



Est Weights:  
Top Slab - 6,350 Lbs  
Base - 19,900 Lbs  
Total: 26,250 Lbs

**General Notes:**

1. Steel Reinforcement Conforms to Latest ASTM Specifications: ASTM-A615 Grade 60 Rebar
  2. Concrete:  $f_c = 5,000$  psi @ 28 Days Minimum
  3. Flexible Sleeves Provided On All Pipe Connections
  4. Butyl Rubber Joint Sealant Provided
  5. Internal PVC Baffles Available Upon Request
- Inlet:** Shall Penetrate at Least 9" Below the Liquid Level, But Not Deeper Than the Outlet Baffle.  
**Outlet:** Shall Extend Below the Surface of the Liquid Equal to 40% of the Liquid Depth (19").
6. Design Loading: AASHTO-HS20-44, ASTM C-890-06
  7. Design Specified As: ASTM C-1227-08, ASTM C-913-08
  8. Other Inlet/Outlet Pipe Sizes Available

"A" Liquid Levels: = 270 Gals/VF(24Gals/In)  
"B" Liquid Levels: = 135 Gals/VF(11Gals/In)  
4": "A" = 1,123 Gallons  
"B" = 540 Gallons  
6": "A" = 1,100 Gallons  
"B" = 529 Gallons

4" PVC Inverts:  
Inlet-57"  
Outlet-54"  
6" PVC Inverts:  
Inlet-56"  
Outlet-53"

**Phoenix  
Precast  
Products**

**1100 / 500  
2 Compartment  
H-20 Tank**

**P/N: ST-1100/500H20**