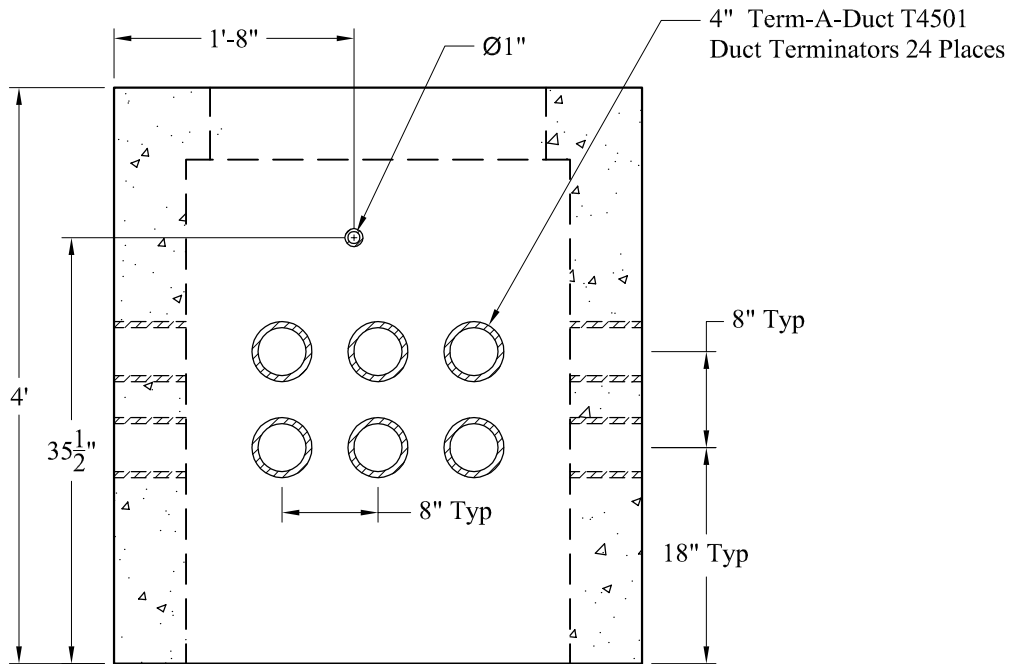


Plan View



Side View

Est. Weight: 4,200 Lbs

General Notes

1. Concrete: $f_c = 5,000$ psi @ 28 Days Minimum
2. Reinforcing Steel: ASTM-A615 Grade #60 Black Deformed Bars
3. Design Load per ASTM C857-13 Standard Practice for Minimum Structural Design Loading for Underground Precast Utility Structures
4. Specification per ASTM C858-10 Standard Specification for Underground Precast Concrete Utility Structures
5. Duct Terminators: 4.50" ID Bowco Model T-4501

Phoenix
Precast
Products

FAA Hand Hole (Tall)
HS-20 Loading

P/N: