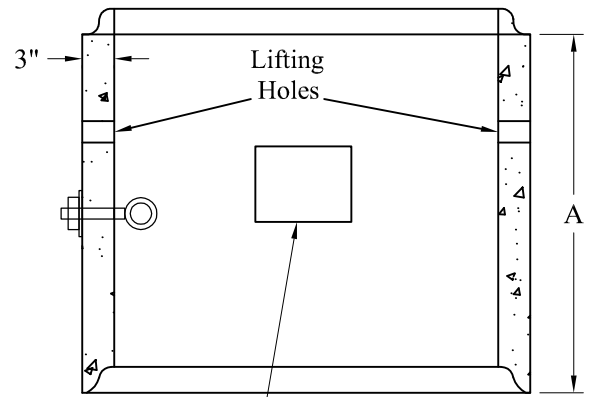
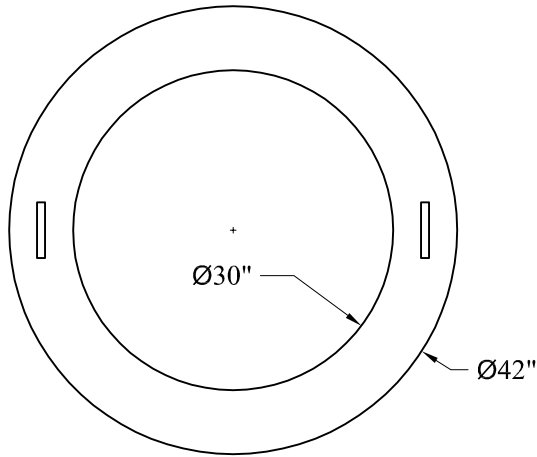
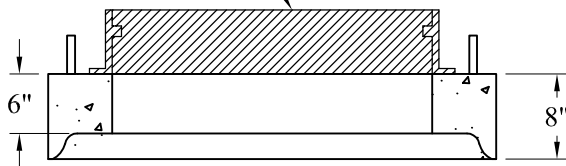


Forged Eye Bolts  
(Available)



Conduit Opening(s)  
Quantity, Location, & Size  
Per Customer Requirements

Optional Cast Iron  
Frame & Cover



Optional Top Slabs

Dim 'A':	Est Weights:
24"	760 Lbs
36"	1,135 Lbs
	Cover: 400 Lbs

**General Notes**

- 1.) Concrete fc: 4,000 psi @ 28 Days Minimum
- 2.) Reinforcement Steel:  
ASTM A185 Welded Wire Fabric  
ASTM A615 Grade 60 Rebar
- 3.) Design Loading: AASHTO-HS20-44
- 4.) See Phoenix Pullbox Accessory Sheet for Available Options

Phoenix  
Precast  
Products

36" Diameter  
Pull Box

P/N:

Concord, NH 03301