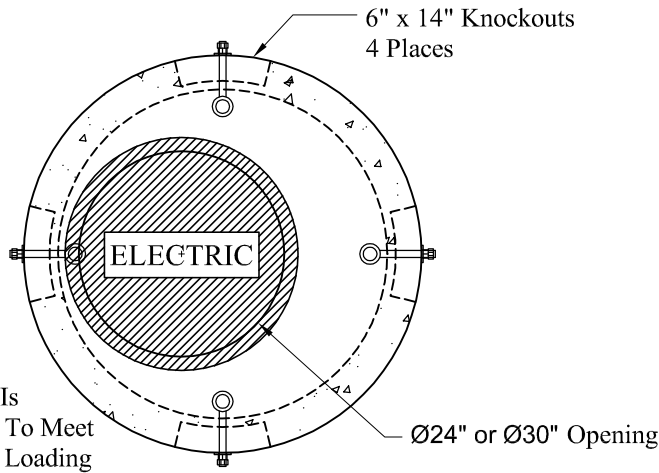
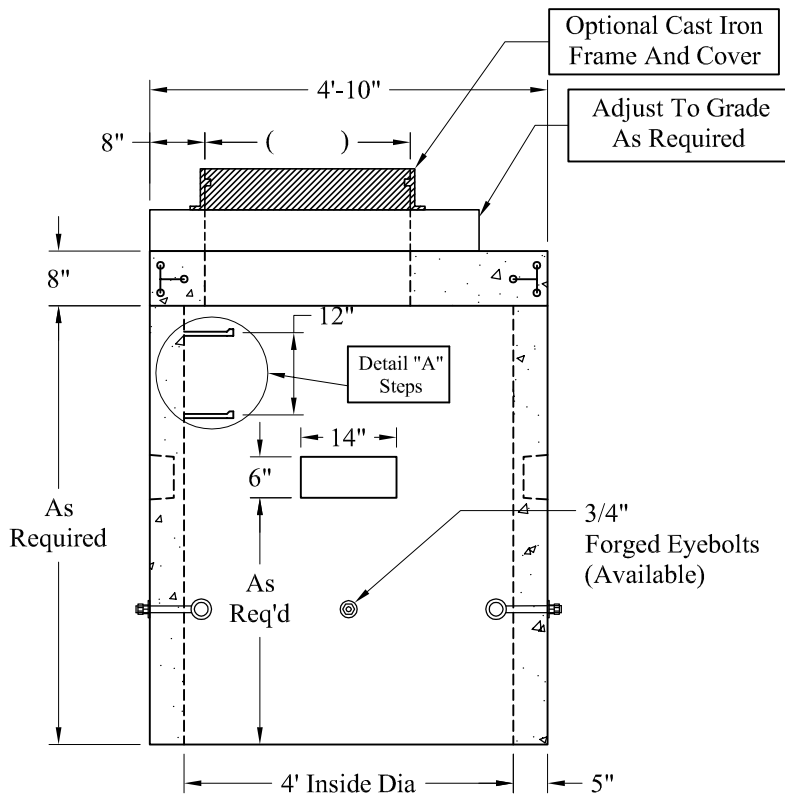
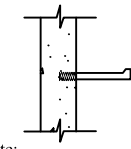
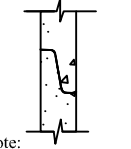
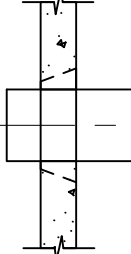


Std Structures 4Ft Dia 48 Inch Dia Pull Box



Top Slab Is
Steel Reinforced To Meet
Or Exceed H-20 Loading



| | |
|----------------------|--|
| Polypropylene Step |  <div style="float: right; border: 1px solid black; padding: 2px;">A</div> <p>Note: Steel Reinforced Copolymer Polypropylene Plastic Step Conforms To Latest ASTM C478</p> |
| Butyl Rubber Joint |  <div style="float: right; border: 1px solid black; padding: 2px;">B</div> <p>Note: Butyl Rubber Section Joint Conforms To Latest ASTM C990 Spec. And Federal Spec. SS-S-210A</p> |
| Mortar By Contractor |  <div style="float: right; border: 1px solid black; padding: 2px;">C1</div> <p>Non-Shrink Grout By Contractor</p> |

Phoenix Precast Products

Phoenix Precast Products

- General Notes**
1. Steel Reinforcement Conforms to Latest ASTM Specification:
ASTM A-615, Grade 60 Black Deformed Bars
ASTM A-185 Welded Wire Fabric
0.12 Sq. In./Lineal Ft.
 2. Concrete: $f_c = 4,000$ psi @ 28 Days Minimum, Type III Cement
 3. Butyl Rubber Joint Sealant Provided Conforms to ASTM C-990
And Federal Spec SS-S-210A
 4. HS-20 Design Loading Conforms to Latest Specifications
ASTM C478, AASHTO M199 Precast Reinforced Concrete
Manhole Sections
 5. See Phoenix Pullbox Accessory Sheet for Available Options

| | |
|--------------------------------|----------------------------------|
| Phoenix Precast Products | 48" Diameter Pull Box |
|--------------------------------|----------------------------------|