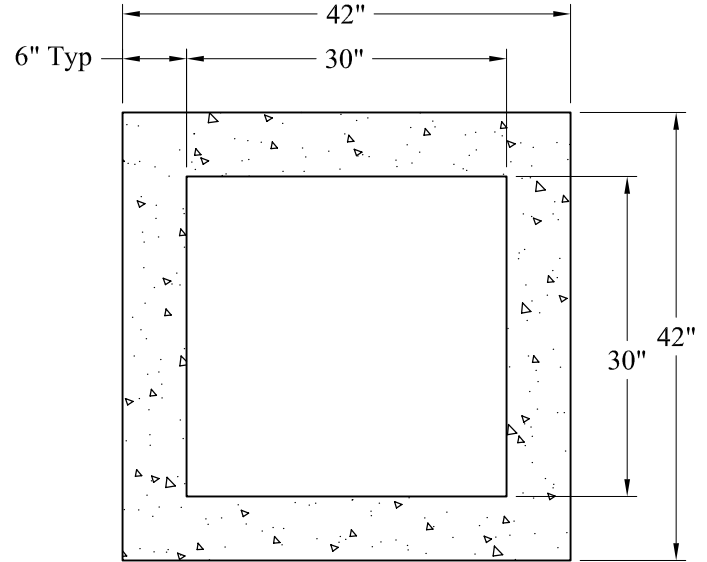
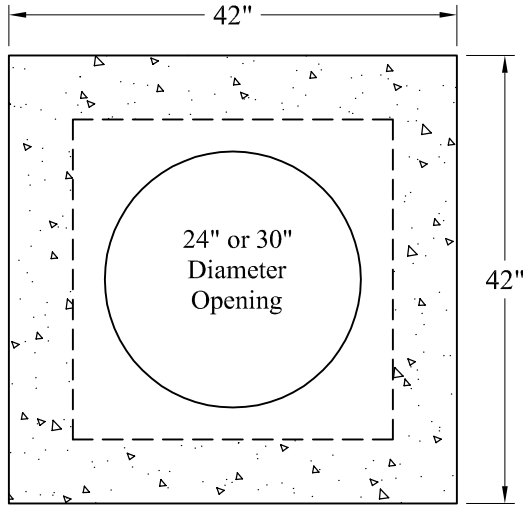


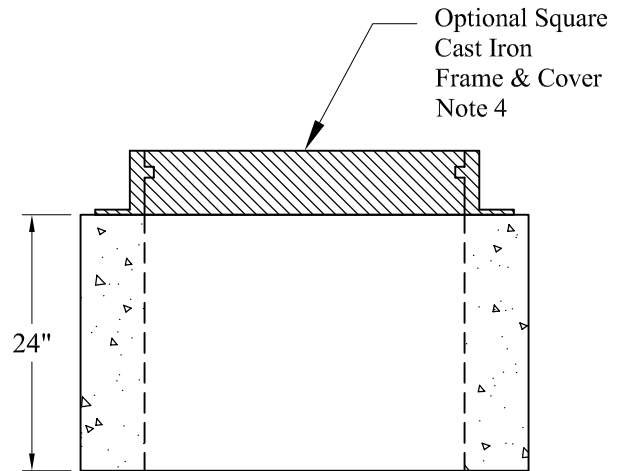
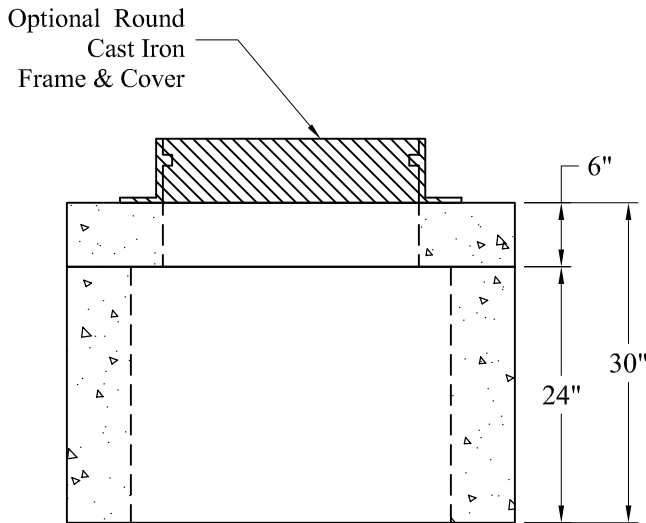
1-800-639-2199

Fax (603) 224-2927

Electrical\Pull Boxes\30 x 30 x 24 Inch Pull Box (v)



Optional Top Slab
(Est Weight: 675 Lbs)



Est. Weight: 1,800 Lbs

General Notes

1. Concrete: $f_c = 4,000$ psi @ 28 Days Minimum
2. Reinforcing Steel: ASTM A615 Grade 60
3. Design Loading: AASHTO-HS20-44
4. Square Cover N1878 A9L

Phoenix
Precast
Products

30" x 30" x 24"
Pull Box

P/N:

Phoenix Precast Products

Phoenix Precast Products