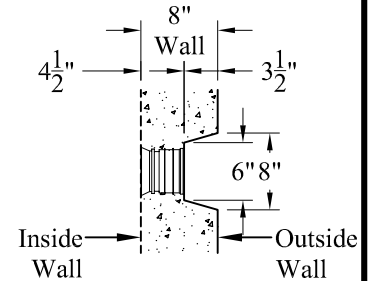
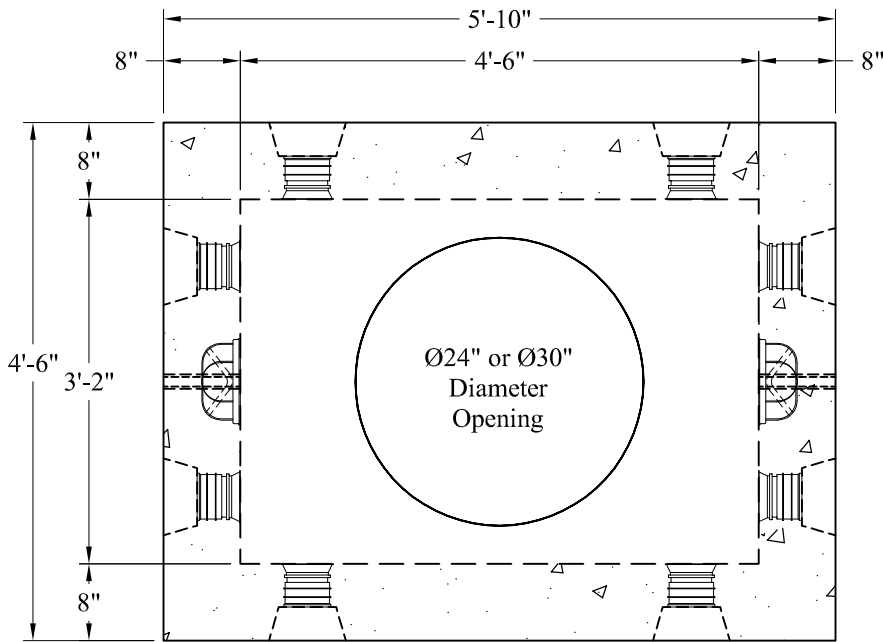


1-800-639-2199

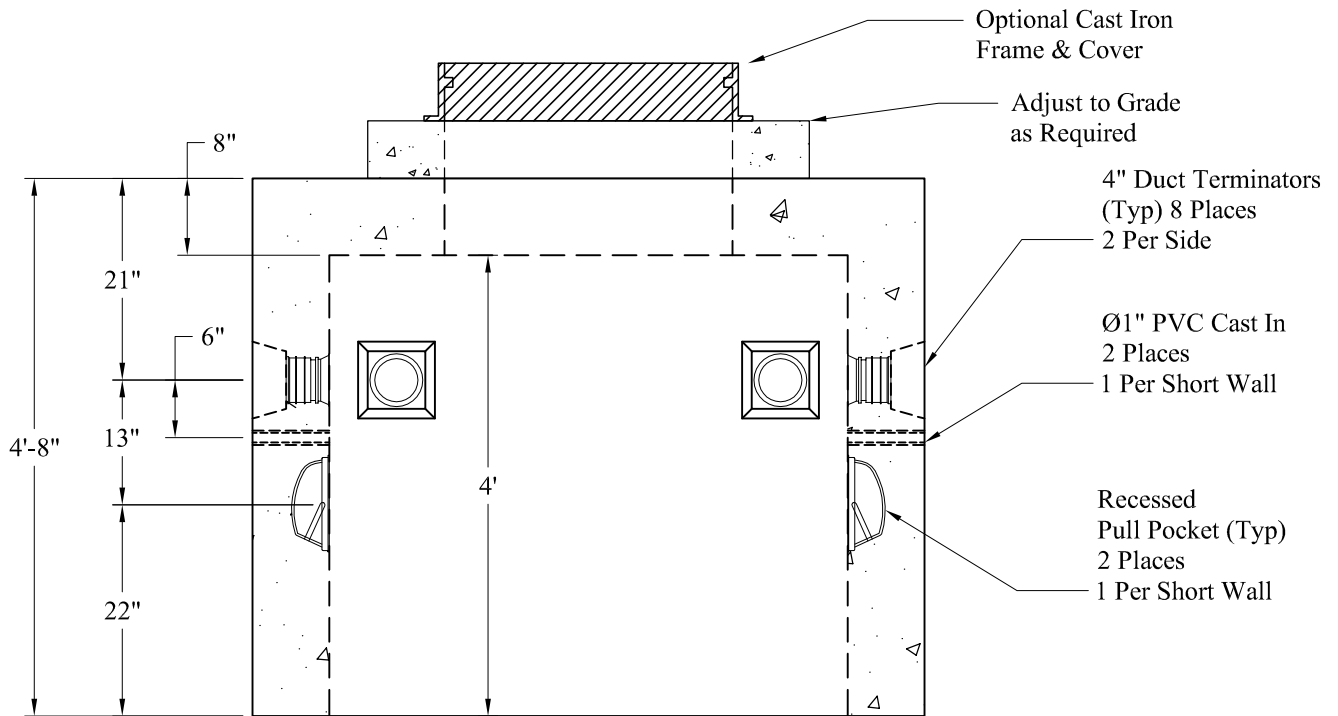
Fax (603) 224-2927

Electrical\Pull Boxes\38 x 54 x 48 Inch Pull Box (v)



4" Duct Terminator
T-4501 4.50" ID
Mounted On 8" Wall

Phoenix Precast Products



Est Weight: 9,200 Lbs

General Notes

- 1.) Concrete fc: 5,000 psi @ 28 Days Minimum
- 2.) Reinforcement Steel: ASTM A615 Grade 60 Rebar
- 3.) Design Loading: AASHTO-HS20-44
- 4.) Modified Openings per Job Specifications are Available

Phoenix
Precast
Products

38" x 54" x 48"
Pull Box

P/N:

Concord, NH 03301

Phoenix Precast Products