

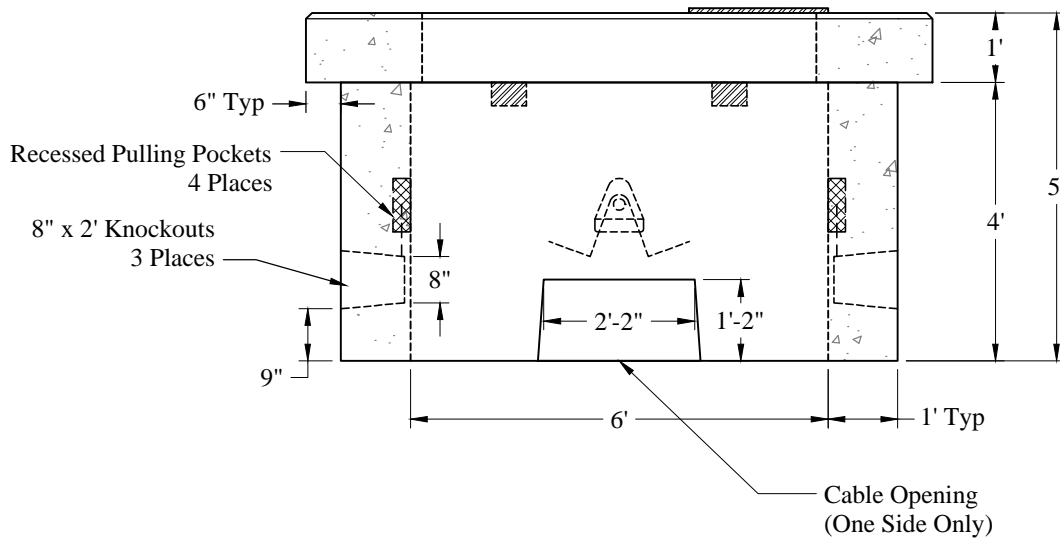
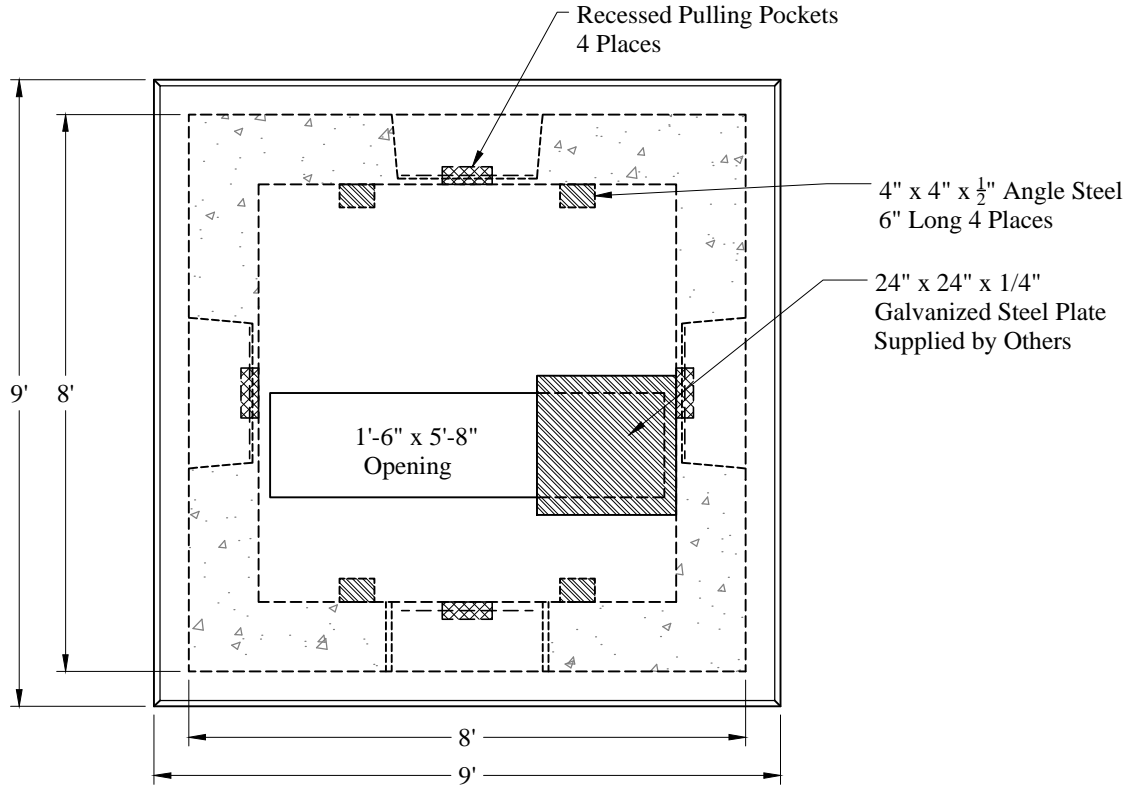
1-800-639-2199

Fax (603) 224-2927

Electrical\CMP\9x9 3-Ph_Transformer Assembly 750-2500 KVA (V)

Phoenix Precast Products

Phoenix Precast Products



Est Weight:
 Top Slab: 10,750 Lbs
 Base: 16,585 Lbs.
 Total: 27,335 Lbs.

General Notes

1. Reinforcement Steel Conforms to:
ASTM A615 Grade 60 or per CMP Specifications
2. Concrete: $f_c = 5,000$ psi @ 28 Days Minimum
3. Meets All CMP Specifications

Phoenix
Precast
Products

Central Maine Power
9' x 9' 3-Phase Transformer
Foundation And Pad
750-2500 KVA

P/N: CMP-LG3PHTFP

Concord, NH 03301