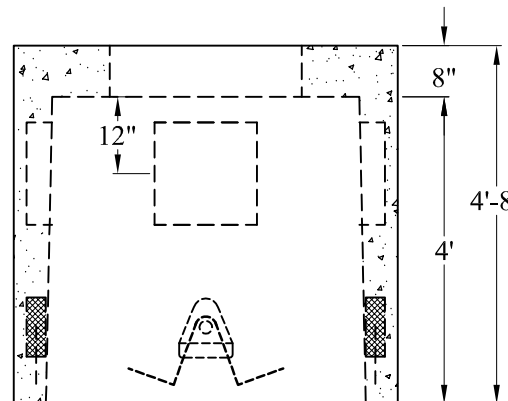
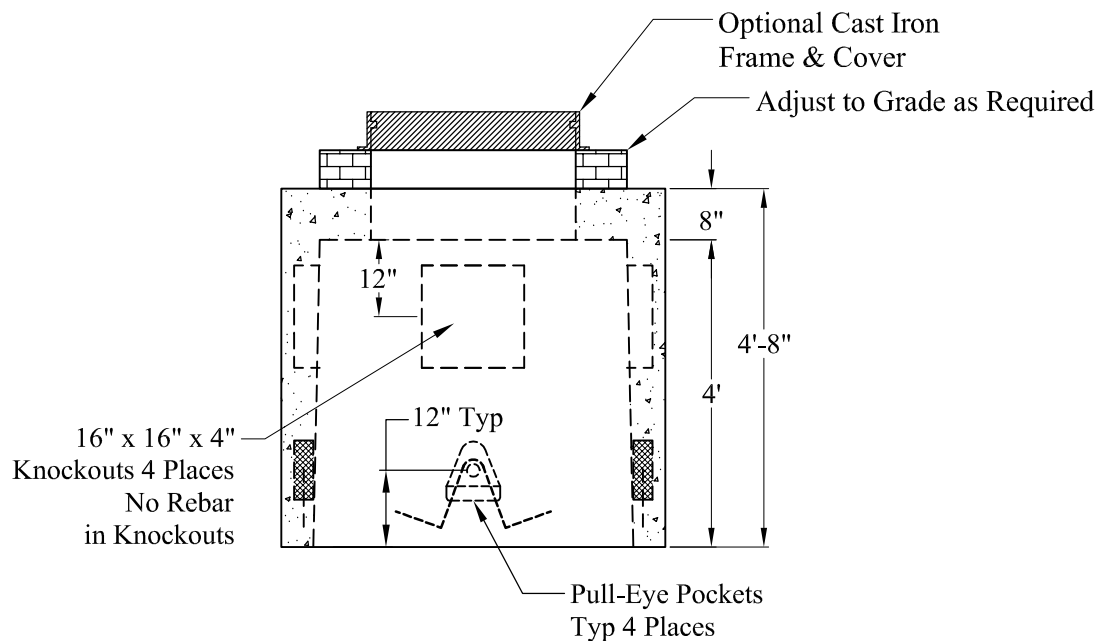


- 1. Concrete: $f_c = 5,000$ psi @ 28 Days Minimum
- 2. Reinforcing Steel: ASTM-A615 Grade #60
- 3. Meets HL-93 Wheel Loading
- 4. Design Specified As: ACI 318-08, AASHTO-1992
- 5. All Cable Racks, Ground Rods, Split Bolts, J-Hooks and Misc Cast-ins Supplied by Others
- 6. LN-12 Exterior Damp-Proofing Applied

Est Weight: 7,850 Lbs

Phoenix Precast Products

Phoenix Precast Products



NH DOT 614.51821

Date	06/05/13
Rev:	1

Drawn By:	EWS
App'd:	

Phoenix
Precast
Products

NH DOT 4' x 4' x 4'
Fiber Optics
Splice Box