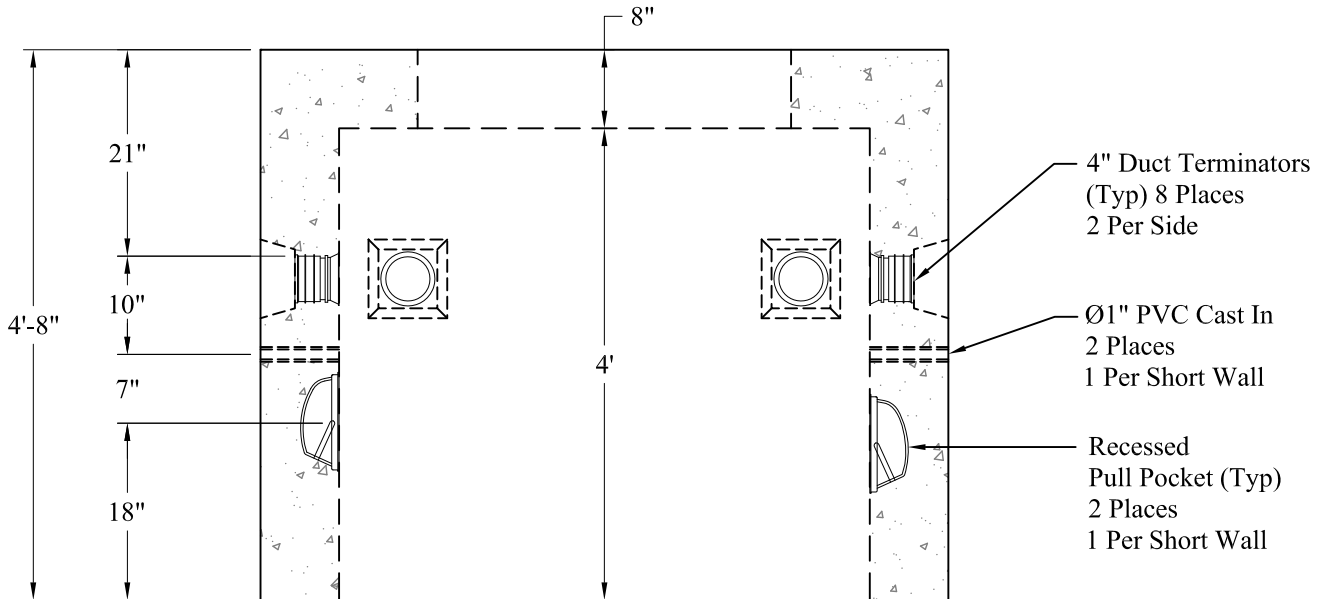


**4" Duct Terminator
T-4501 4.50" ID
Mounted On 8" Wall**



Est Weight: 8,750 Lbs

General Notes

- 1.) Concrete fc: 5,000 psi @ 28 Days Minimum
- 2.) Reinforcement Steel: ASTM A615 Grade 60 Rebar
- 3.) Design Loading: AASHTO-HS20-44
- 4.) Modified Openings per Job Specifications are Available

Phoenix
Precast
Products

National Grid
MS3334
Handhole

P/N:

Concord, NH 03301