

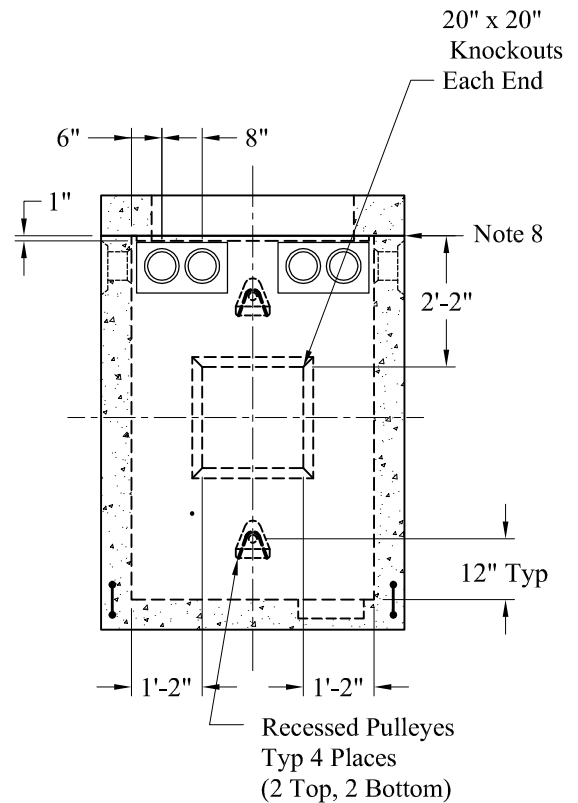
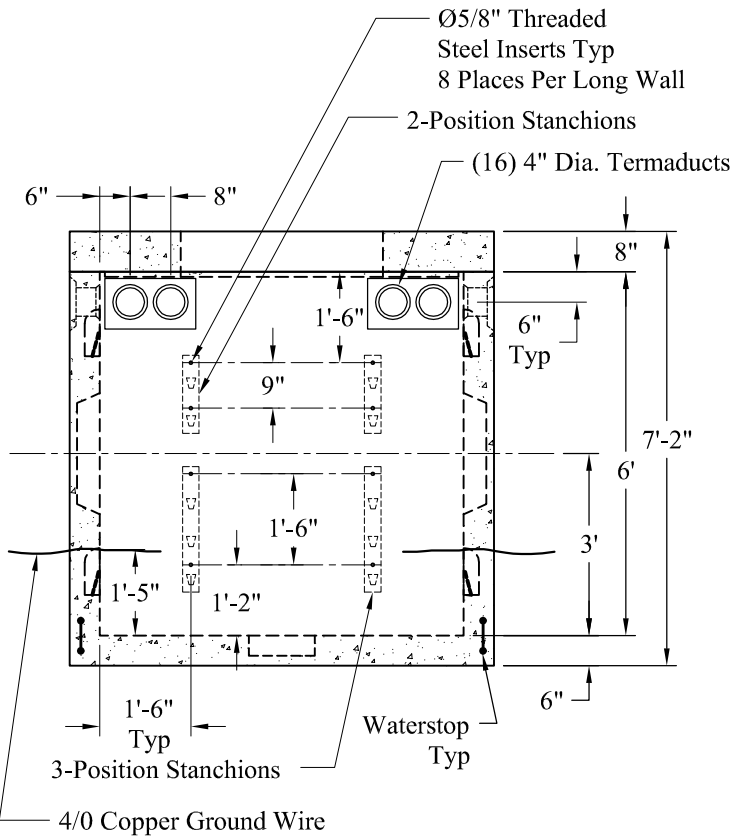
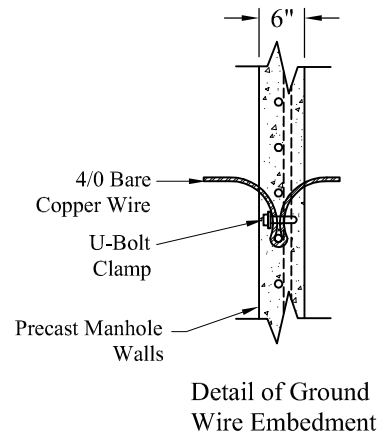
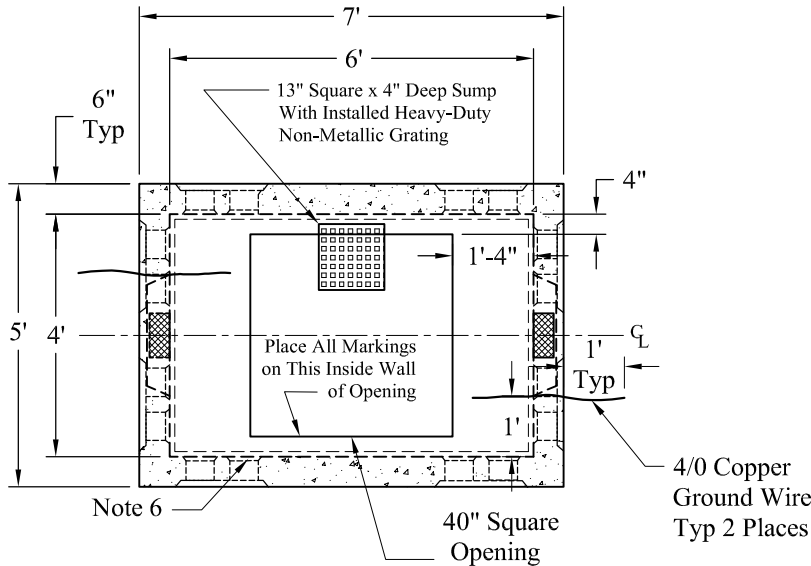
1-800-639-2199

Fax (603) 224-2927

Electrical\NSTAR\M1202_4 x 6 x 6ft Electric Man Hole Assembly (v)

Phoenix Precast Products

Phoenix Precast Products



General Notes

1. Concrete: $f_c = 5,000$ psi @ 28 Days Minimum
2. Reinforcing Steel: ASTM-A615, Grade 60
3. Minimum Steel Cover is 1"
4. Design Loading: Minimum Structural Design Load per Latest ASTM C-857 and AASHTO-HS20-44
5. Standard Design Specifications: per Latest ASTM C-858 and ACI 318
6. All Termaducts to Have Bell Ends Flush with Inside Wall
7. Termaducts may be Specified in lieu of Knockouts at the Direction of NSTAR
8. 1" Diameter Butyl Rubber Joint Sealant Provided

Est Weights:

Top Slab:	3,160 Lbs
Base:	12,360 Lbs
Total:	15,520 Lbs

**Phoenix
Precast
Products**

**NSTAR M1202
4' x 6' x 6' Electrical
Man Hole Assembly**

P/N: