

**Est Weights:**

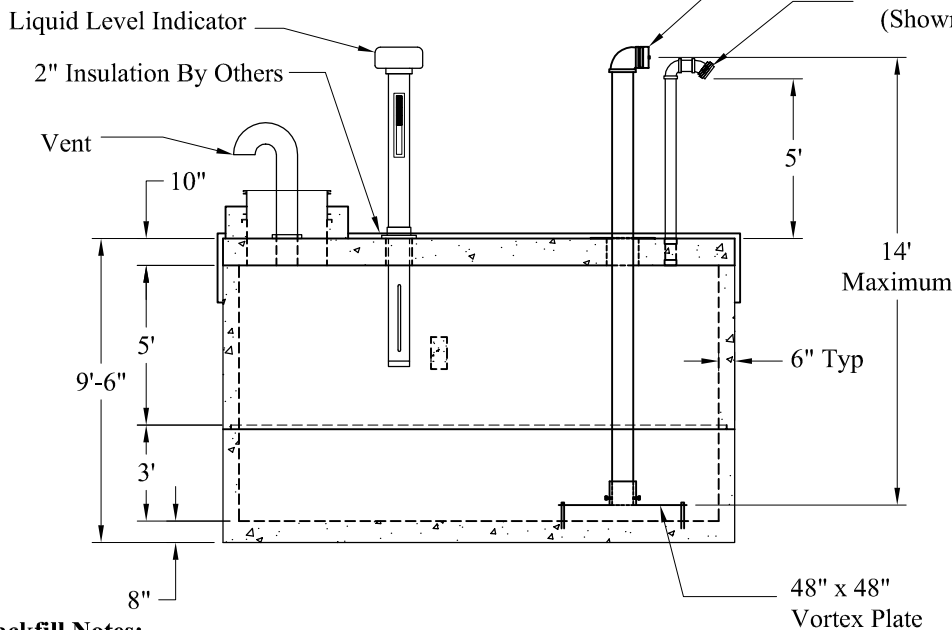
Top Slab:	16,000 Lbs
5' Riser:	18,050 Lbs
Base:	22,850 Lbs
<b>Total:</b>	<b>56,900 Lbs</b>

**Liquid Level:**

7' x 15' = 787 Gals/VF  
 @ 7.00' = 5,500 Gallons

Connector Per Governing Fire Department. (Shown Rotated)

Fill Assembly. (Shown Rotated)



**Foundation And Backfill Notes:**

1. Foundation Material Shall Be ¾" Crushed stone, Minimum 12" Thick, Compacted.
2. 1-½" Bank Run Gravel Shall Be Used For Backfill Operations Surrounding Tank. Backfill Shall Be Placed in Maximum 12" Loose Lifts. All Compaction Shall Be Done With Hand Operated Equipment.
3. Tank Excavation Shall Be Kept Dewatered Throughout Installation and Backfill Operations.

**General Notes:**

1. Concrete:  $f_c = 5,000$  psi @ 28 Days Minimum Type III Cement
2. Reinforcing Steel: ASTM-A615 Grade 60 Black Deformed Bars
3. Design Loading: AASHTO-HS20-44, ASTM C-890-06  
Design Specified As: ASTM C-1227-08, ASTM C-913-08
4. Butyl Rubber Joint Sealant Provided
5. Includes Exterior Dampproofing
6. Detail Drawings Provided Upon Request

Phoenix  
 Precast  
 Products

5,000 Gallon HS-20  
 Cistern Assembly

P/N:

Concord, NH 03301