

**Liquid Level:**

9' x 16' = 1,080 Gals/VF

7.00' = 7,560 Gallons Per Tank

**15,120 Total Gallons**

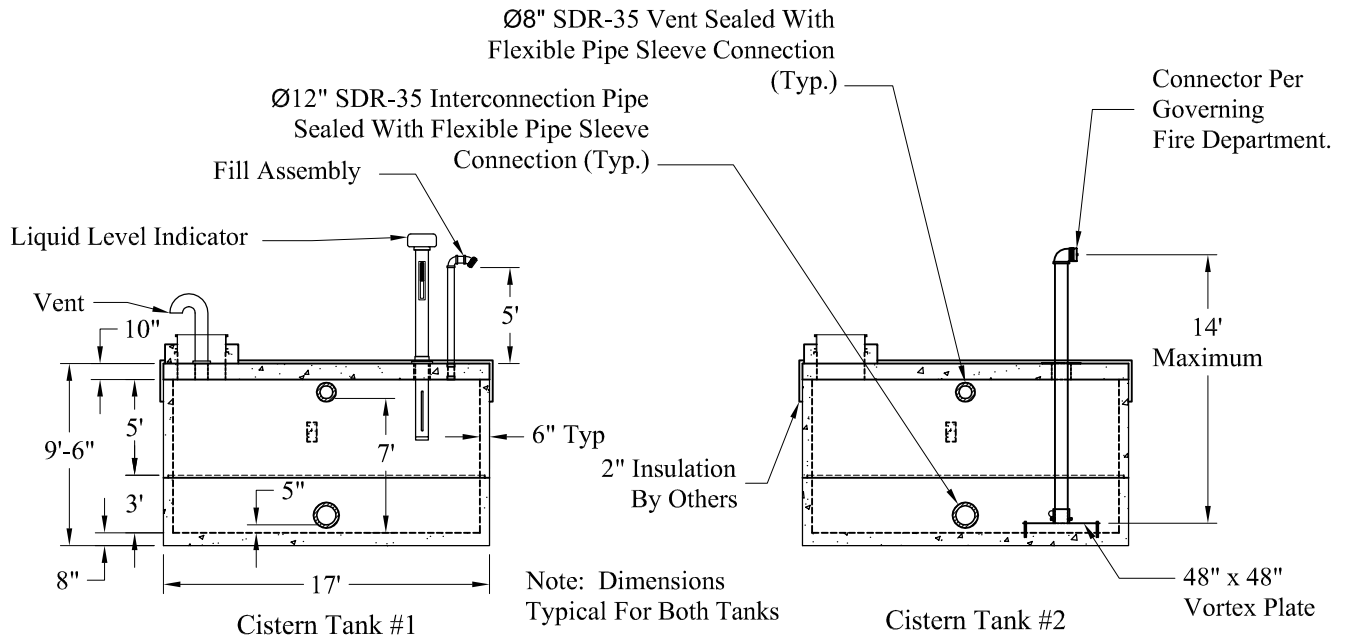
**Est Weights: (Each Tank)**

Top Slab: 21,000 Lbs

5' Riser: 20,600 Lbs

Base: 28,350 Lbs

Total: 66,950 Lbs



**Foundation And Backfill Notes:**

1. Foundation Material Shall Be 3/4" Crushed stone, Minimum 12" Thick, Compacted.
2. 1-1/2" Bank Run Gravel Shall Be Used For Backfill Operations Surrounding Tank. Backfill Shall Be Placed in Maximum 12" Loose Lifts. All Compaction Shall Be Done With Hand Operated Equipment.
3. Tank Excavation Shall Be Kept Dewatered Throughout Installation and Backfill Operations.
4. All Area Between Tanks Shall Be Filled To A Minimum Of 12" Above Crown Of Interconnection Pipe With 3/4" Crushed Stone. 1-1/2" Bank Run Gravel May Be Used Above This Elevation.

**General Notes:**

1. Concrete:  $f_c = 5,000$  psi @ 28 Days Minimum Type III Cement
2. Reinforcing Steel: ASTM-A615 Grade 60 Black Deformed Bars
3. Design Loading: AASHTO-HS20-44, ASTM C-890-06  
Design Specified As: ASTM C-1227-08, ASTM C-913-08
4. Butyl Rubber Joint Sealant Provided
5. Includes Exterior Dampproofing
6. Detail Drawings Provided Upon Request

Phoenix  
Precast  
Products

15,000 Gallon HS-20  
Cistern Assembly  
( 2 Tanks )

P/N:

Concord, NH 03301