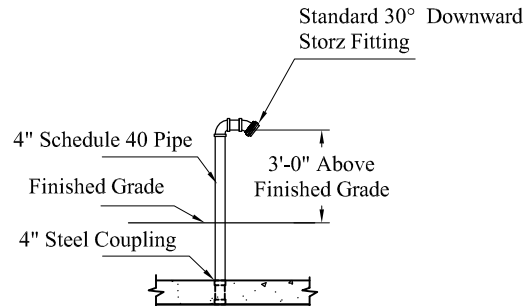
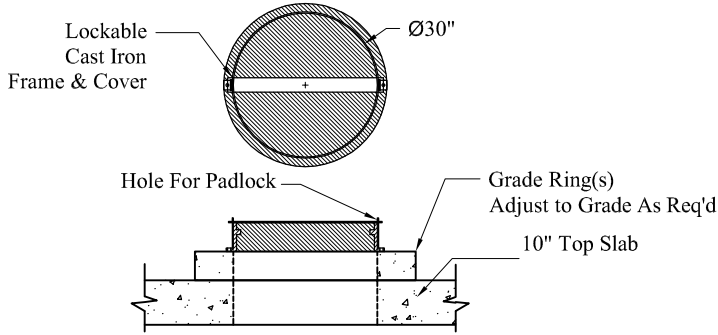


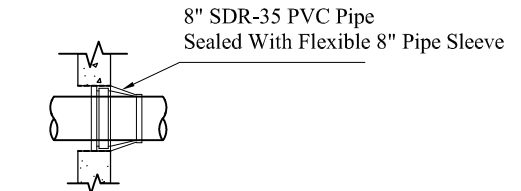
Standard Access To Finished Grade



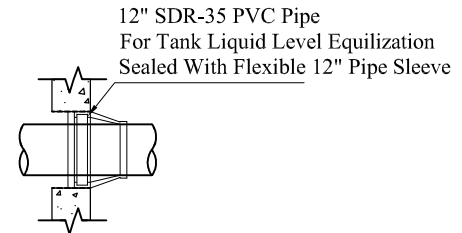
Fill Assembly



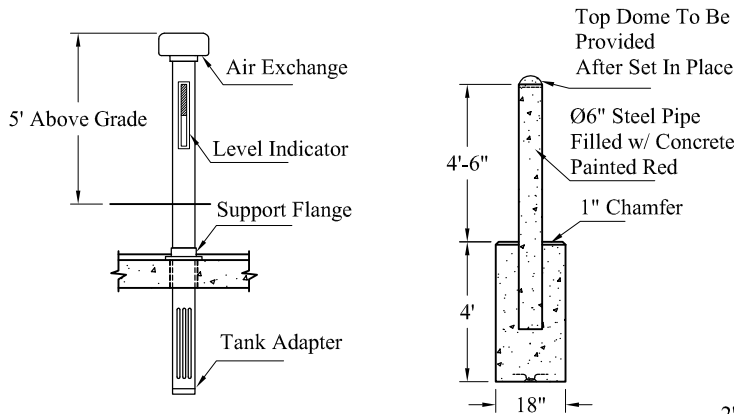
Optional Access To Finished Grade



8" Interconnection Vent Pipe

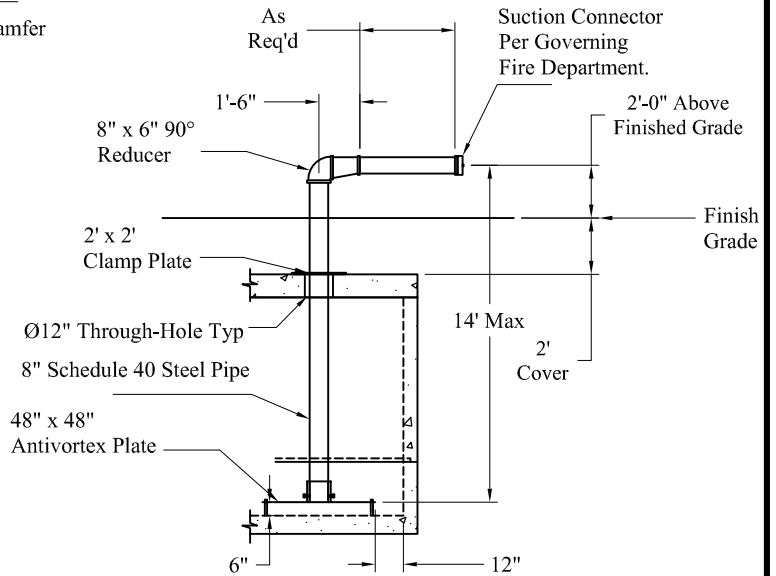


12" Interconnection Equalization Pipe

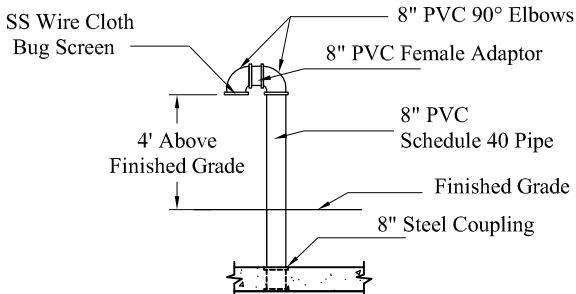


Vent and Liquid Level Indicator

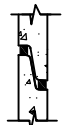
Typical Bollard



Details Not To Scale



Vent Assembly



Note:
Butyl Rubber Section Joint Conforms
To Latest ASTM C443 Spec.
And Federal Spec. SS-S-210A

Butyl Rubber Joint

Note: Detailed Drawings Available Upon Request

Phoenix
Precast
Products

Cistern
Accessories

P/N:

Concord, NH 03301