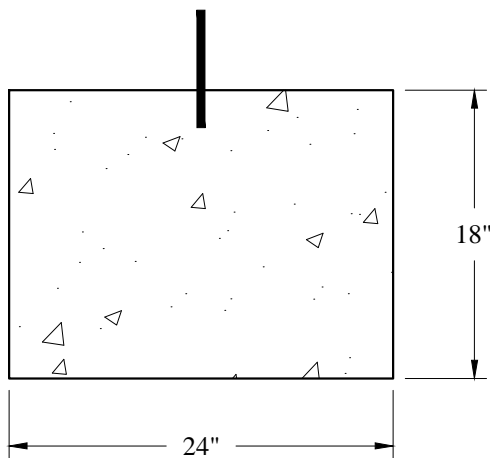
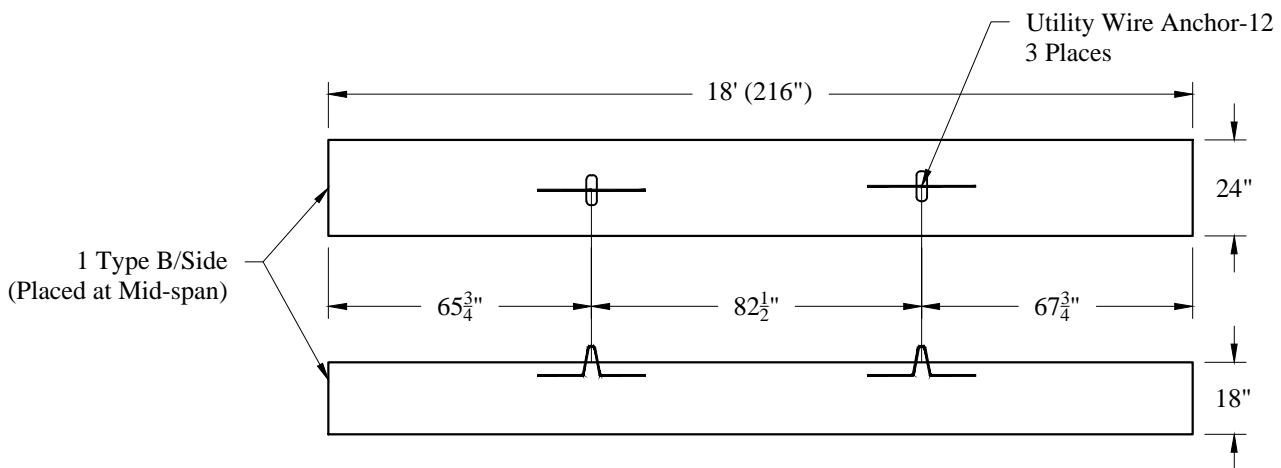
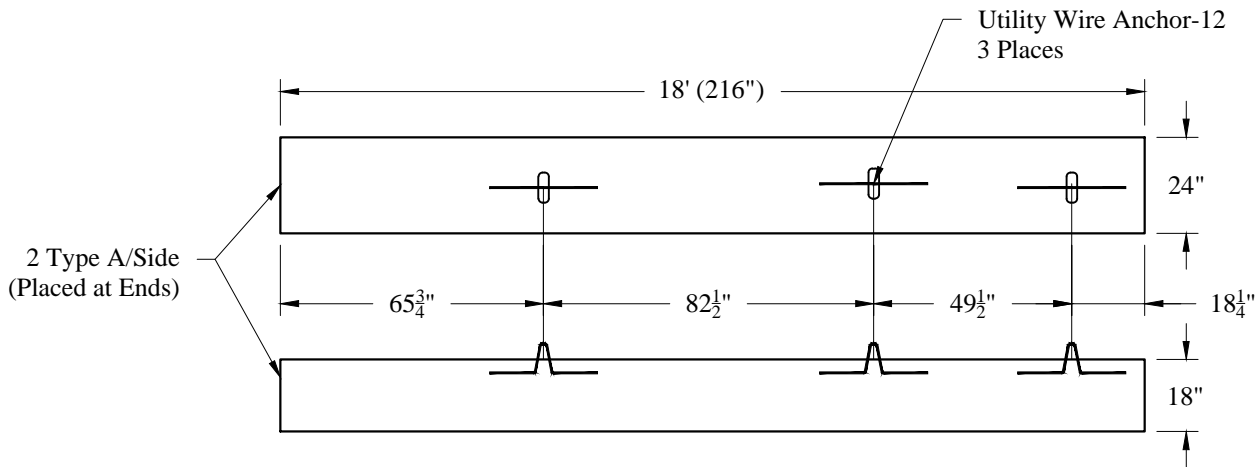


1-800-639-2199

Fax (603) 224-2927

Bodywork & Extended Bases/11'-6" x 21' x 18" Deadmen (30,000 Gal) C3806



Hold Down Straps and Related Hardware
(Supplied By Others)

General Notes

1. Reinforcement Steel Conforms to:
ASTM A615 Grade 60 Black Deformed Bars
2. Concrete: $f_c = 4,000$ psi @ 28 Days Minimum
3. Est. Weight: 450Lbs/Linear Foot

Phoenix
Precast
Products

1'-6" x 2' x 18"
Deadmen
(30,000 Gal Cistern)

Phoenix Precast Products

Phoenix Precast Products