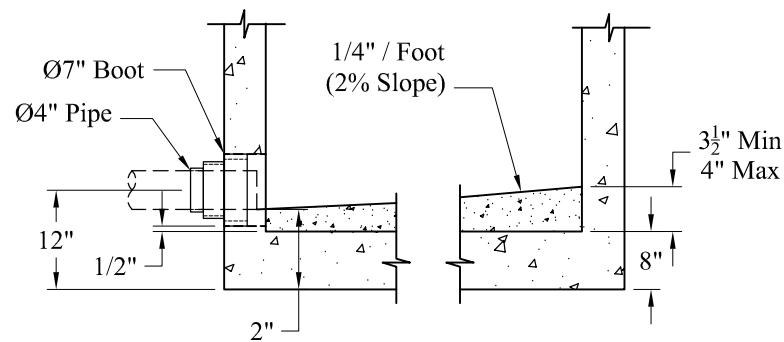


| Pipe Chart |      |         |            |
|------------|------|---------|------------|
|            | Pipe | Pipe OD | Connection |
| I          |      |         |            |
| O          |      |         |            |
| D          |      |         |            |
| E          |      |         |            |

| Elevation Chart |                            |
|-----------------|----------------------------|
| Description     | Elevation                  |
| R               | Rim                        |
| G               | Finish Grade               |
| B               | Inside Bottom Floor        |
| C               | Outside Bottom of Concrete |
| D               | Floor Drain                |
| E               | Electrical Conduits        |



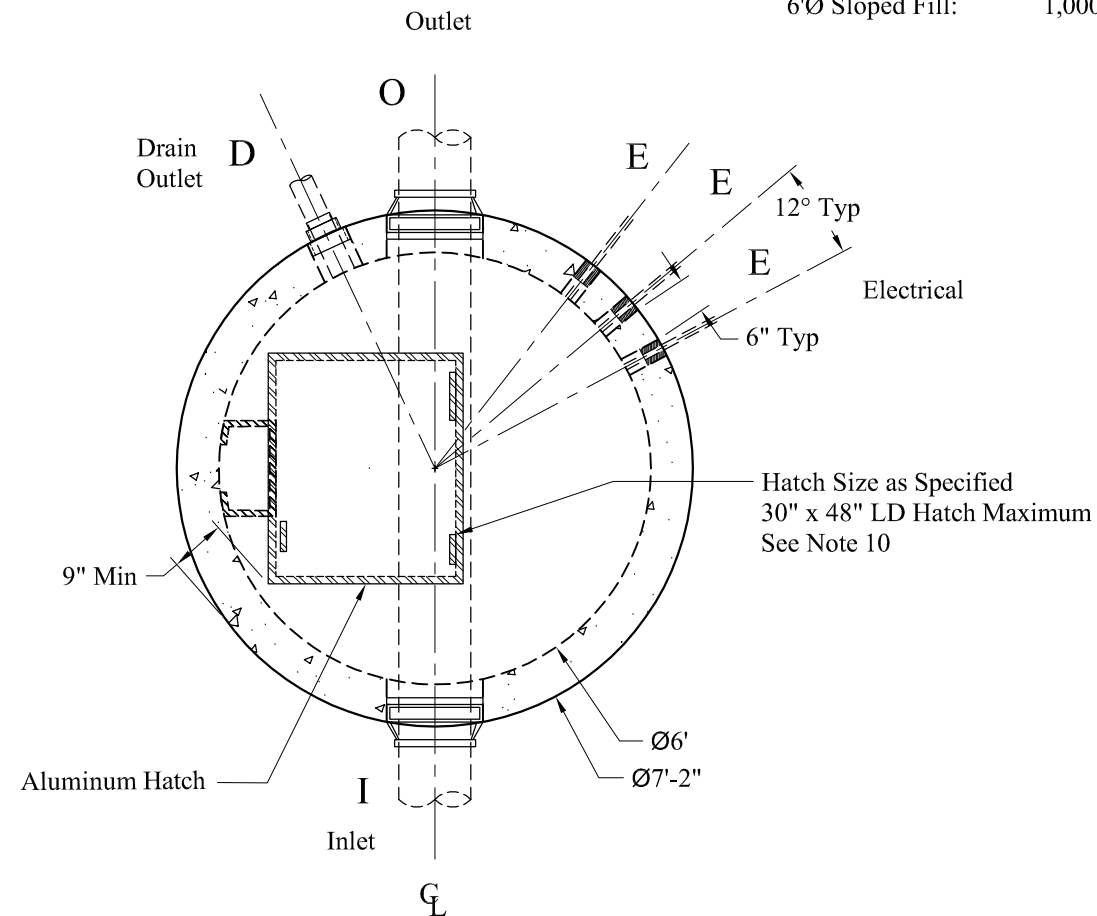
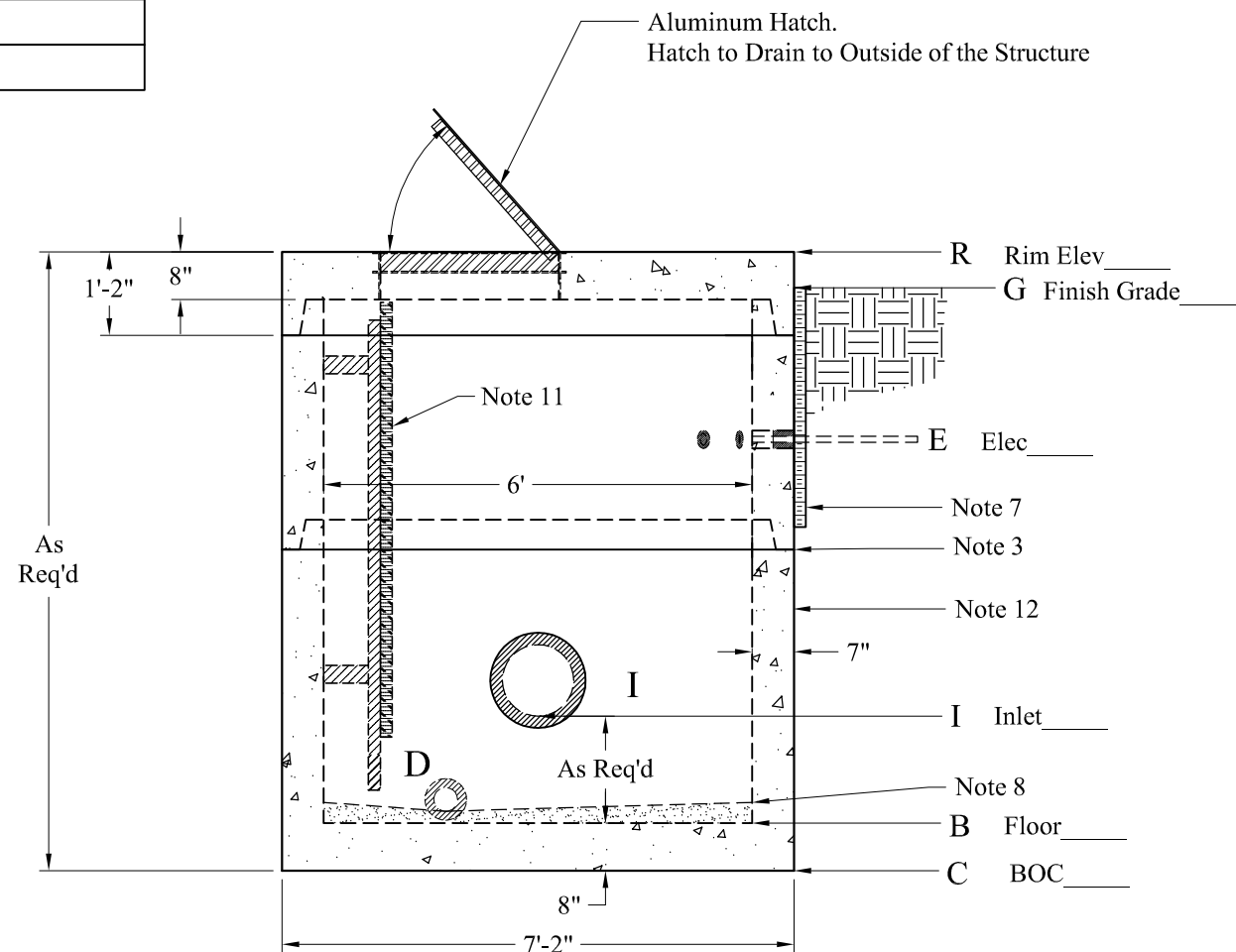
Detail of Sloping Floor & Drain (NTS)

- 1.) Steel Reinforcement Conforms To Latest ASTM Specifications:  
ASTM A-615 Grade 60 Black Deformed Bars  
ASTM A-185 Welded Wire Fabric
- 2.) Concrete: f'c = 5,000 psi @ 28 Days Minimum, Type III Cement
- 3.) Butyl Rubber Joint Sealant Conforms to ASTM C-990 and Federal Spec SS-S-210A.
- 4.) All Meters, Mounting Hardware, and Related Ancillary Equipment Provided by Others.
- 5.) HS-20 Design Loading Conforms to Latest Specifications ASTM C478, AASHTO M199 Precast Reinforced Concrete Manhole Sections
- 6.) Aluminum Hatch. Hatch to Drain to Outside of Structure
- 7.) Exterior Insulation by Others
- 8.) Sloped Floor to Slope 1/4"/Foot Towards Drain Minimum
- 9.) Pipe Connections: Flexible Boot or Link-Seal. See Chart.
- 10.) Contact Phoenix for Hatch Requirements Exceeding These Dimensions
- 11.) Aluminum Ladder Available
- 12.) Asphaltic Exterior Coating Available

**Est Weights:**

|                  |              |
|------------------|--------------|
| Top Slab:        | 4,000 Lbs    |
| Riser:           | 1,776 Lbs/VF |
| Floor:           | 2,240 Lbs    |
| 6'Ø Sloped Fill: | 1,000 Lbs    |

Phoenix Precast Products



Phoenix Precast Products

Customer:

Job No.

Date

Drawn By:

Location:

Custom No.

Rev:

App'd:

02/05/14

EWS

0

**Phoenix  
Precast  
Products**

**6' Diameter  
Meter Manhole**