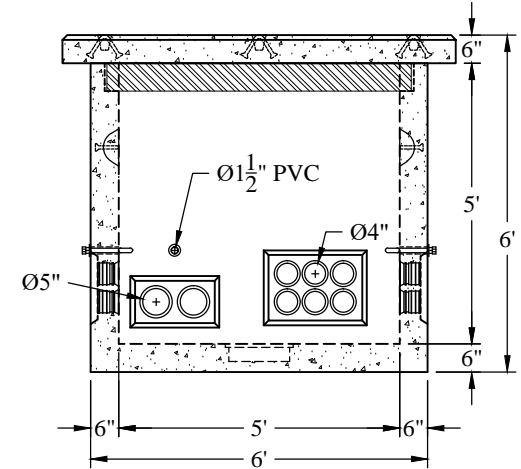
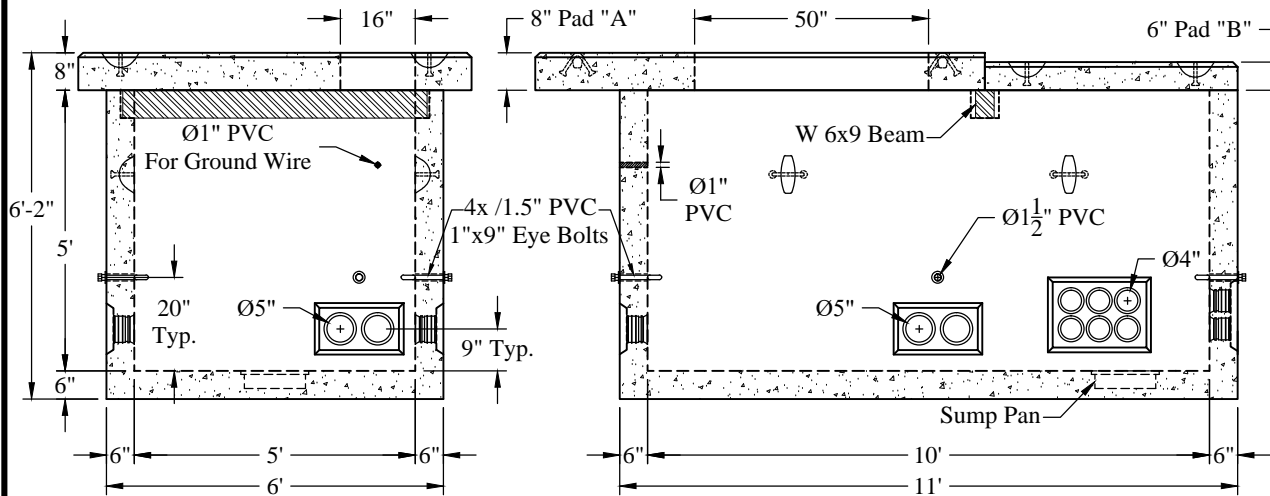
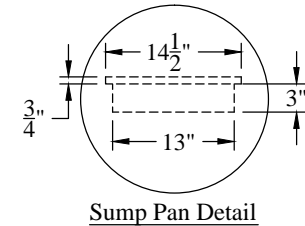


General Notes:

1. Concrete; $f_c = 5,000$ psi @ 28 Days Min.
2. Reinforcing Steel: ASTM-A615 Grade #60.
3. Design Loading: AASHTO-H10
4. Pulleys = $\text{Ø}1\frac{1}{4}$ " Eyebolt w/ Galv Steel Washer.
5. Built to Green Mountain Power Spec K30.3

Est. Weight:

Vault:	16,750 Lbs
Pad "A":	5,000 Lbs
Pad "B":	2,300 Lbs
Total:	24,050 Lbs



Phoenix Precast Products

Phoenix Precast Products

Customer:	-	Job No.:	-	Date:	05/30/17	Drawn By:	RMD
Location:	-	Custom No.:	-	Rev:	1	Rev'd By:	-

Phoenix Precast Products	Green Mountain Power K.30.3 Vault
	P/N: GMP-K30.3

77 Regional Drive

Concord, NH 03301