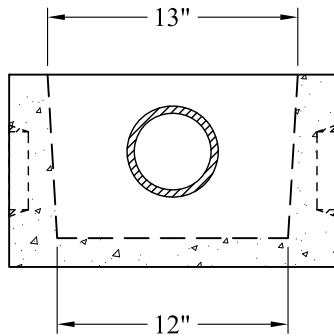
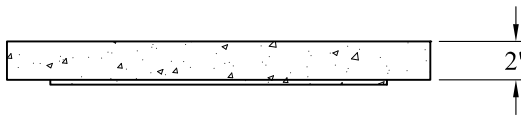
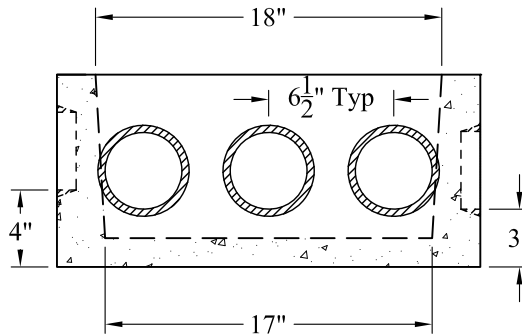


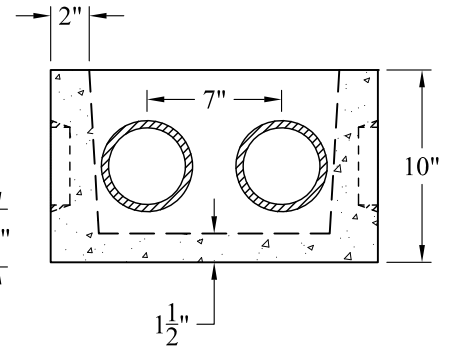
Top View



Inlet End



Section View



Outlet End

**General Notes:**

- 1. Concrete:  $f_c = 4,000$  PSI @ 28 Days Minimum
- 2. Plastic Pipe Seals On All Openings
- 3. Weight:
  - Box: 160 Lbs
  - Cover: 80 Lbs
  - Total: 240 Lbs

Phoenix  
Precast  
Products

8 Outlet  
"D" Box

P/N: DB-8