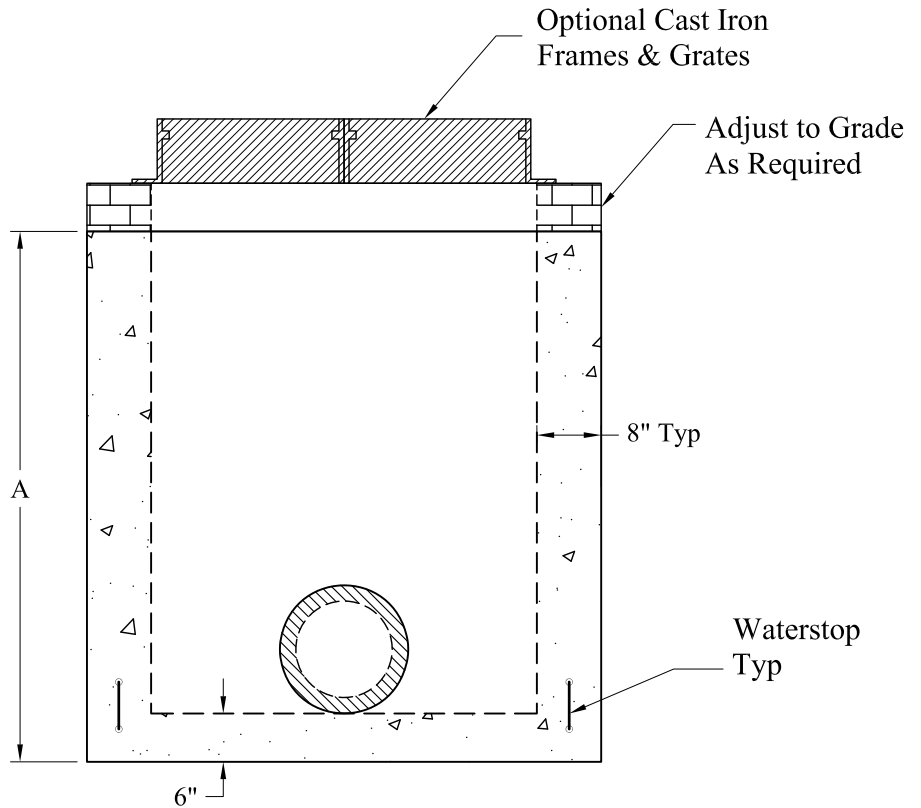


Dim 'A'	P/N	Est. Weight
30"	DIB-24X48X30	4,210 Lbs
36"	DIB-24X48X36	4,935 Lbs
42"	DIB-24X48X42	5,655 Lbs
48"	DIB-24X48X48	6,380 Lbs
54"	DIB-24X48X54	7,100 Lbs



**General Notes**

- 1.) Concrete:  $f_c = 5,000$  psi @ 28 Days Minimum Type III Cement
- 2.) Reinforcement Steel Conforms To Latest ASTM Specification A615 Grade 60 Black Deformed Bars
- 3.) Design Loading: AASHTO-HS20-44

Phoenix  
Precast  
Products

2' x 4'  
Drop Inlet

P/N: See Above

Concord, NH 03301