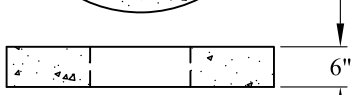
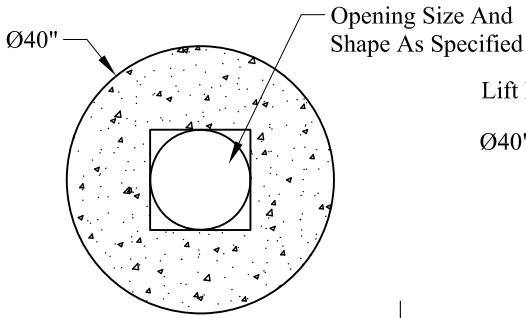


1-800-639-2199

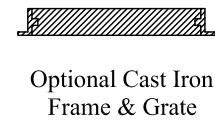
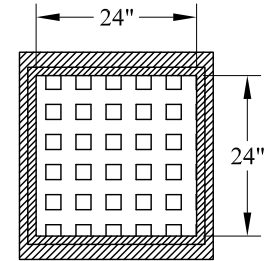
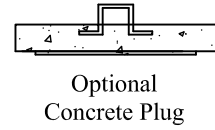
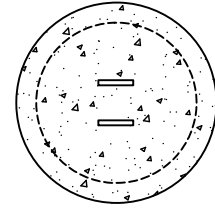
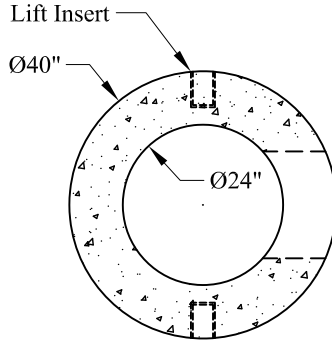
Fax (603) 224-2927

Drop Inlets (Standard) 2' Dia Area Drains

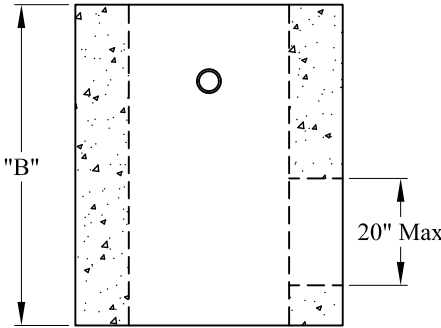


Available Top Slabs

P/N
 DIDB-TS24C/L
 DIDB-TS24SQ
 Est Weight: 640 Lbs

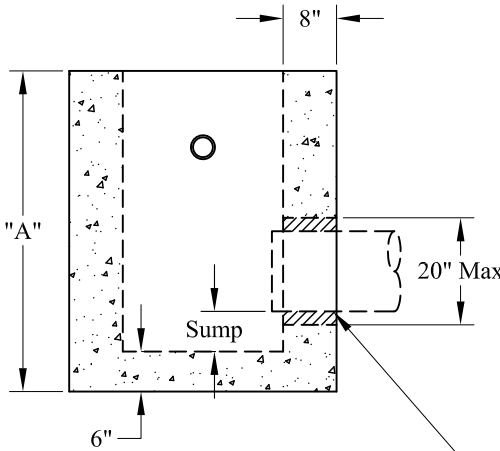


Dim "B"	P/N	Est. Weight:
12"	DIRB-24x12	825 Lbs
18"	DIRB-24x18	1,235 Lbs
24"	DIRB-24x24	1,645 Lbs
30"	DIRB-24x30	2,055 Lbs
36"	DIRB-24x36	2,470 Lbs
42"	DIRB-24x42	2,880 Lbs
48"	DIRB-24x48	3,290 Lbs
54"	DIRB-24x54	3,700 Lbs
60"	DIRB-24x60	4,115 Lbs

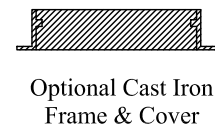
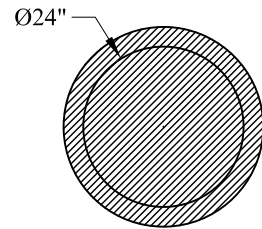


Drop Inlet Riser

Dim "A"	P/N	Est. Weight:
24"	DIB-24x24	1,880 Lbs
30"	DIB-24x30	2,290 Lbs
36"	DIB-24x36	2,700 Lbs
42"	DIB-24x42	3,110 Lbs
48"	DIB-24x48	3,520 Lbs
54"	DIB-24x54	3,930 Lbs
60"	DIB-24x60	4,343 Lbs



Drop Inlet Base



Mortared or Booted Connections

General Notes

- 1.) Concrete: $f_c = 4,000$ psi @ 28 Days Minimum
- 2.) Design Loading: AASHTO-HS20-44
- 3.) Sump As Required

Phoenix
 Precast
 Products

2' Diameter
 Area Drains

P/N: See Above

Concord, NH 03301