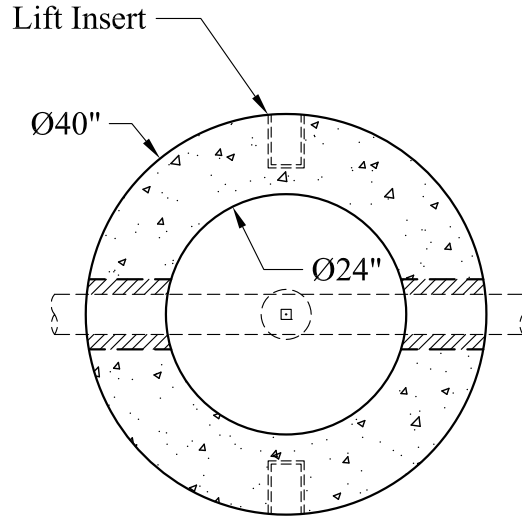
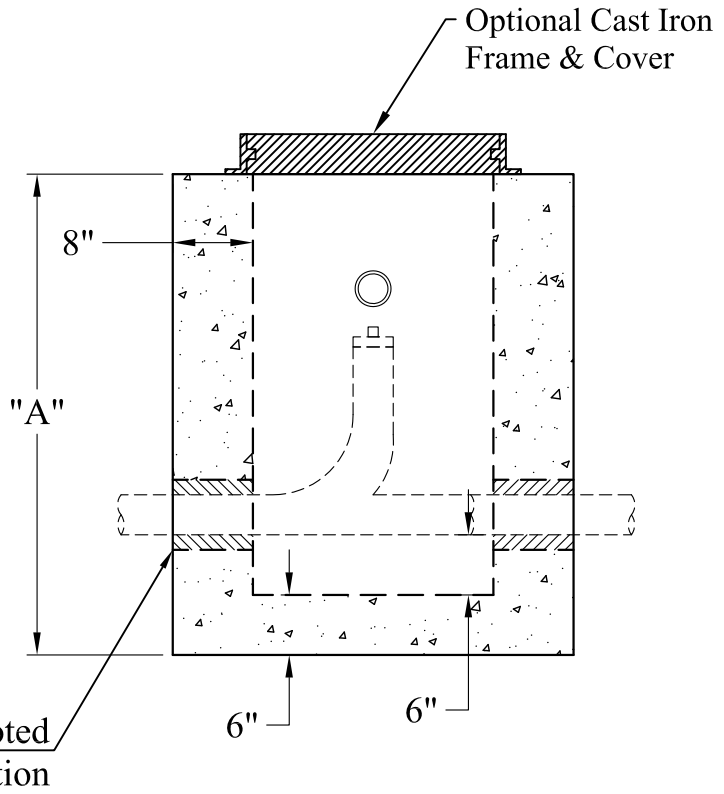


Optional
Concrete Plug



As Required

Dim "A"	P/N	Est. Weight:
24"	DIB-24x24	1,880 Lbs
30"	DIB-24x30	2,290 Lbs
36"	DIB-24x36	2,700 Lbs
42"	DIB-24x42	3,110 Lbs
48"	DIB-24x48	3,520 Lbs
54"	DIB-24x54	3,930 Lbs
60"	DIB-24x60	4,343 Lbs



Mortared or Booted
Pipe Connection

General Notes

- 1.) Concrete: $f_c = 4,000$ psi @ 28 Days Minimum
- 2.) Design Loading: AASHTO-HS20-44
- 3.) Sump As Required

Phoenix
Precast
Products

2' Diameter
Clean Out Manhole

P/N: See Above

Concord, NH 03301