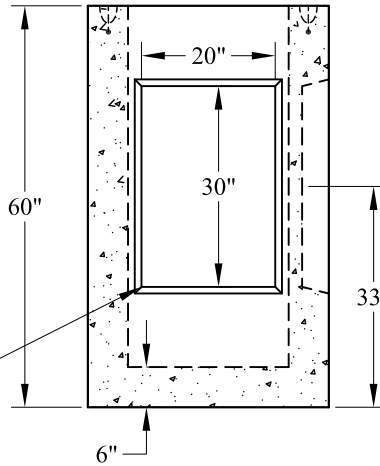


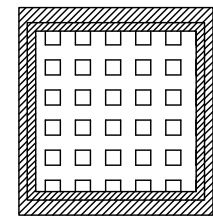
Available Top Slabs

P/N:	Est Weight
DIDB-TS24SQX24C/L	435 Lbs
GR24-24SQ	370 Lbs

20" x 30" x 4" Knockouts
Centered in Wall
3 Sides Typ

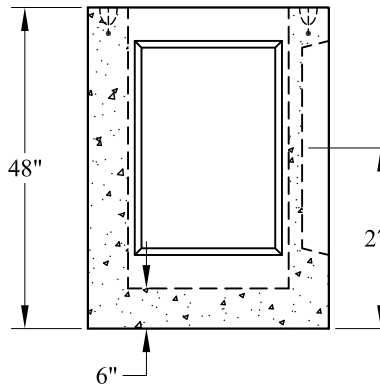


Drop Inlet Base Type 2 (5')

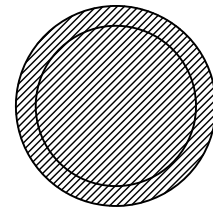


Optional Cast Iron Frame & Grate

DIM 'A'	P/N:	Est. Weight:
54"	DIB-24SQX48KO	3,260 Lbs
60"	DIB-24SQX60KO	4,000 Lbs



Drop Inlet Base Type 1 (4')



Optional Cast Iron Frame & Cover

General Notes

- 1.) Reinforcement Steel Conforms To Latest ASTM Specs ASTM A185 & ASTM A615 Grade 60
- 2.) Concrete: $f_c = 4,000$ psi @ 28 Days Minimum
- 3.) Design Loading: AASHTO-HS20-44

Phoenix
Precast
Products

2' Square Area Drains
With Knock-outs

P/N: See Above