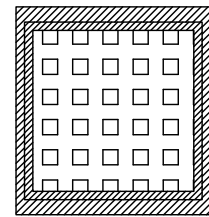
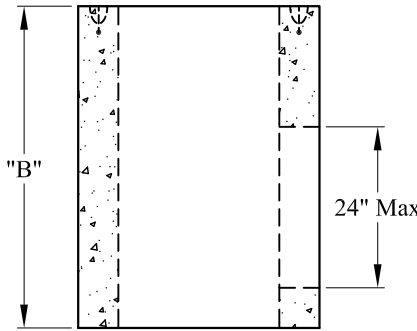


Available Top Slabs

P/N:	Est Weight:
DIDB-TS24SQX24C/L	435 Lbs
GR24-24SQ	370 Lbs

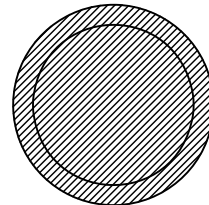
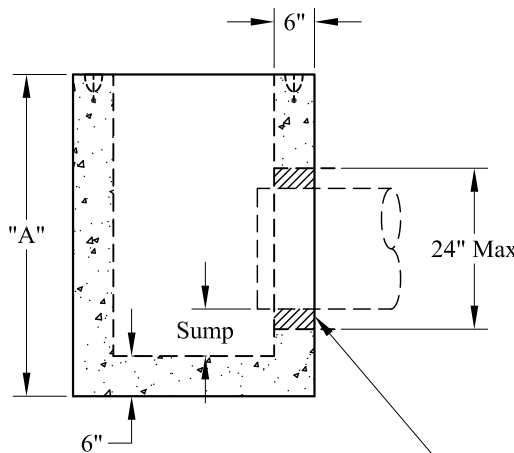
Dim "B"	P/N:	Est. Weight:
12"	DIR-24SQX12	750 Lbs
18"	DIR-24SQX18	1,120 Lbs
24"	DIR-24SQX24	1,600 Lbs
30"	DIR-24SQX30	1,850 Lbs
36"	DIR-24SQX36	2,400 Lbs
42"	DIR-24SQX42	2,800 Lbs
48"	DIR-24SQX48	3,200 Lbs



Optional Cast Iron Frame & Grate

Drop Inlet Riser

Dim 'A'	P/N:	Est. Weight:
24"	DIB-24SQX24	1,942 Lbs
30"	DIB-24SQX30	2,342 Lbs
36"	DIB-24SQX36	2,742 Lbs
42"	DIB-24SQX42	3,142 Lbs
48"	DIB-24SQX48	3,542 Lbs
54"	DIB-24SQX54	3,942 Lbs
60"	DIB-24SQX60	4,342 Lbs
66"	DIB-24SQX66	4,742 Lbs
72"	DIB-24SQX72	5,142 Lbs



Optional Cast Iron Frame & Cover

Drop Inlet Base

Mortared or Booted Connections

General Notes

- 1.) Reinforcement Steel Conforms To Latest ASTM Specs ASTM A185 & ASTM A615 Grade 60
- 2.) Concrete: $f_c = 4,000$ psi @ 28 Days Minimum
- 3.) Design Loading: AASHTO-HS20-44
- 4.) Sump As Required

Phoenix
Precast
Products

**2' Square Area
Drains**

P/N: See Above

Concord, NH 03301