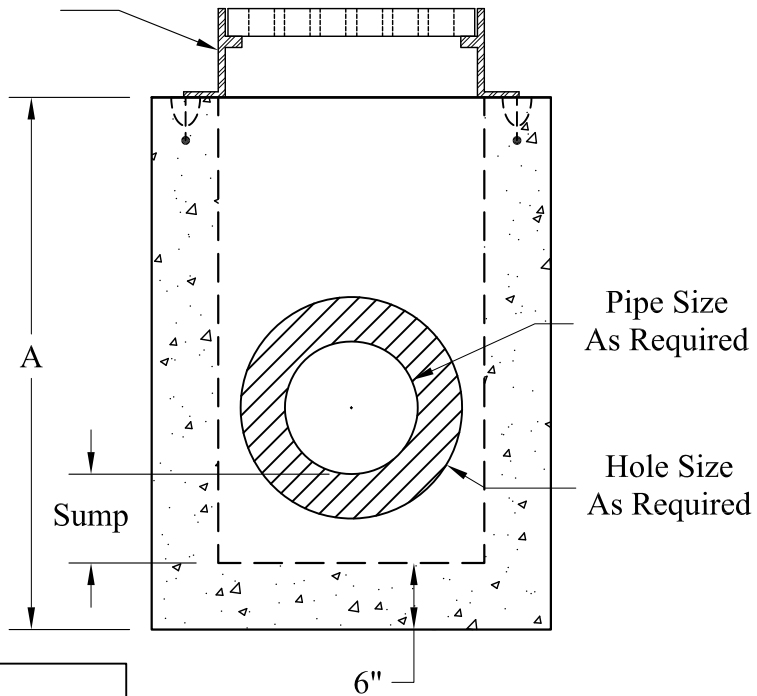


Optional
24" x 24"
Frame and Grate



Dim 'A'	P/N:	Est. Weight:
24"	DIB-24SQX24	1,942 Lbs
30"	DIB-24SQX30	2,342 Lbs
36"	DIB-24SQX36	2,742 Lbs
42"	DIB-24SQX42	3,142 Lbs
48"	DIB-24SQX48	3,542 Lbs
54"	DIB-24SQX54	3,942 Lbs
60"	DIB-24SQX60	4,342 Lbs
66"	DIB-24SQX66	4,742 Lbs
72"	DIB-24SQX72	5,142 Lbs

General Notes

- 1.) Reinforcement Steel Conforms To Latest ASTM Specs ASTM A185 & ASTM A615 Grade 60
- 2.) Concrete: $f_c = 4,000$ psi @ 28 Days Minimum
- 3.) Design Loading: AASHTO-HS20-44
- 4.) Sump As Required
- 5.) Item Conforms to NH DOT Section 604

Phoenix
Precast
Products

2' Square
Drop Inlet

P/N: See Above