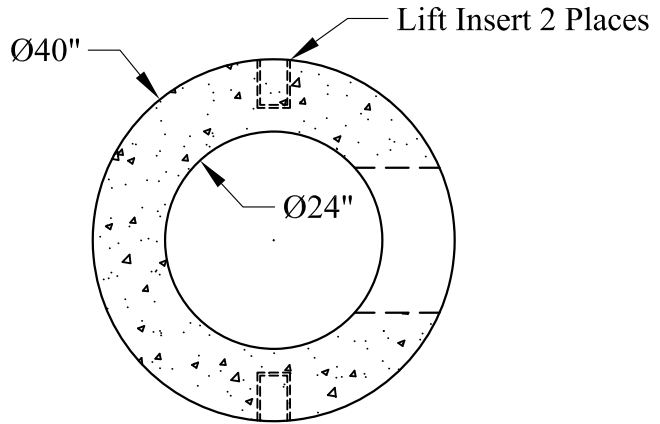
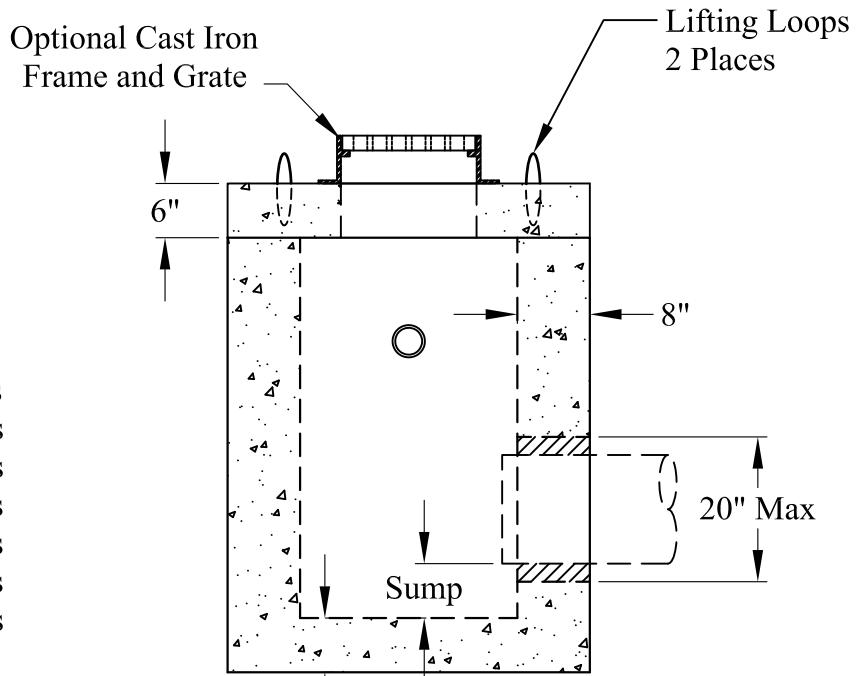


Optional Top Slabs  
 P/N  
 DIB-TS24C/L  
 DIB-TS24SQ  
 Est Weight: 640 Lbs



Plan View



Side View

Dim "A"	P/N	Est. Weight:
24"	DIB-24x24	1,880 Lbs
30"	DIB-24x30	2,290 Lbs
36"	DIB-24x36	2,700 Lbs
42"	DIB-24x42	3,110 Lbs
48"	DIB-24x48	3,520 Lbs
54"	DIB-24x54	3,930 Lbs
60"	DIB-24x60	4,343 Lbs

**General Notes**

- 1.) Concrete:  $f_c = 4,000$  psi @ 28 Days Minimum
- 2.) Design Loading: AASHTO-HS20-44
- 3.) Sump As Required

Phoenix  
 Precast  
 Products

2' Diameter Drop Inlet  
 Base With Top Slab

P/N: See Above