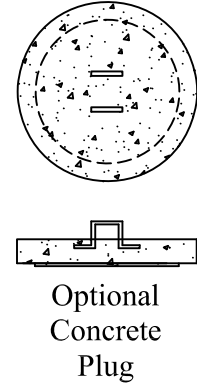
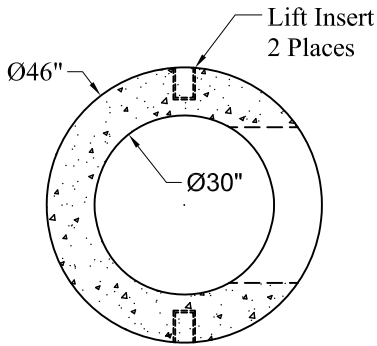
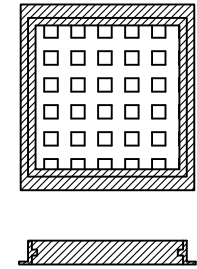
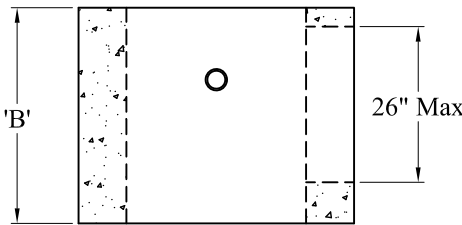


**Available Top Slabs**

P/N:	Est Weight
DIDB-TS30SOLID46	840 Lbs
DIDB-TS30x24C/L	607 Lbs

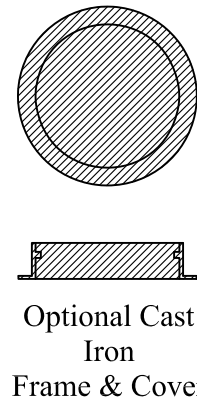
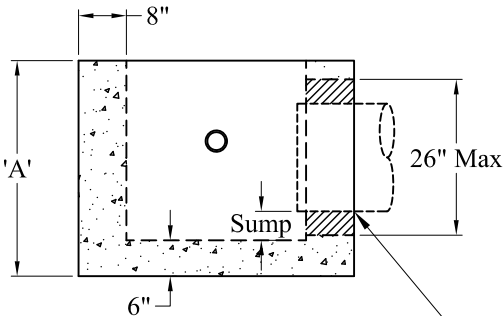


Dim 'B'	P/N:	Est. Weight:
12"	DIRB-30X12	1,000 Lbs
18"	DIRB-30X18	1,500 Lbs
24"	DIRB-30X24	2,000 Lbs
30"	DIRB-30X30	2,500 Lbs
36"	DIRB-30X36	3,000 Lbs



**30" Drop Inlet Riser**

Dim 'A'	P/N:	Est. Weight:
24"	DIB-30X24	2,215 Lbs
30"	DIB-30X30	2,710 Lbs
36"	DIB-30X36	3,200 Lbs



**30" Drop Inlet Base**

Mortared or Booted Connection

**General Notes**

- 1.) Concrete:  $f_c = 4,000$  psi @ 28 Days Minimum
- 2.) Design Loading: AASHTO-HS20-44
- 3.) Sump As Required

Phoenix  
Precast  
Products

**30" Diameter  
Area Drains**

P/N: See Above