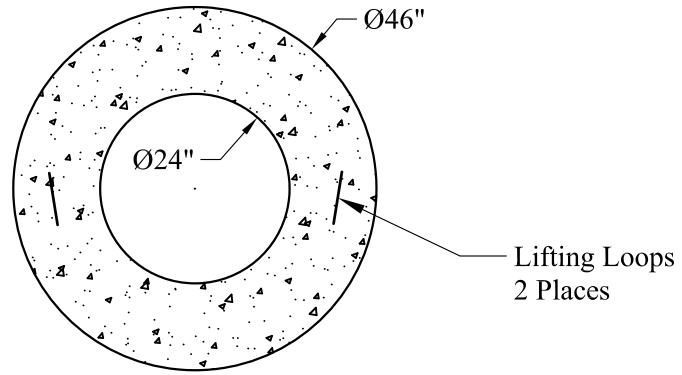
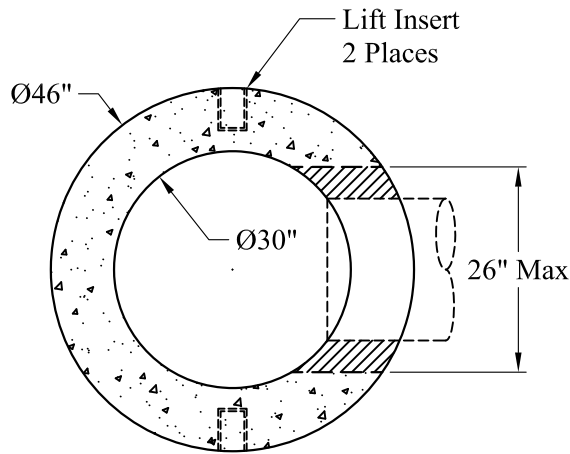


Top Slab

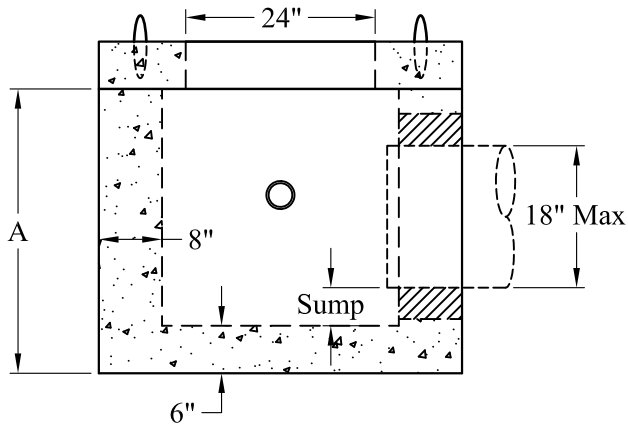
P/N: DIDB-TS30X24C/L Est Weight: 625 Lbs



30" Drop Inlet Top Slab



Plan View (Base Only)



30" Drop Inlet Base

Dim A	P/N:	Est. Weight:
24"	DIDB-30X24	2,215 Lbs
30"	DIDB-30X30	2,710 Lbs
36"	DIDB-30X36	3,200 Lbs

General Notes

- 1.) Concrete: $f_c = 4,000$ psi @ 28 Days Minimum
- 2.) Design Loading: AASHTO-HS20-44
- 3.) Sump As Required

Phoenix
Precast
Products

30" Diameter
Drop Inlet Base
With Top Slab

P/N: See Above