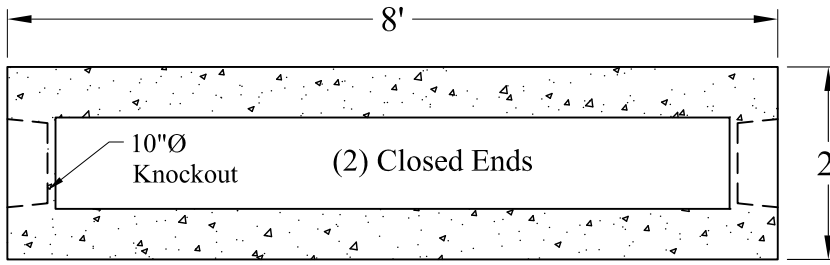


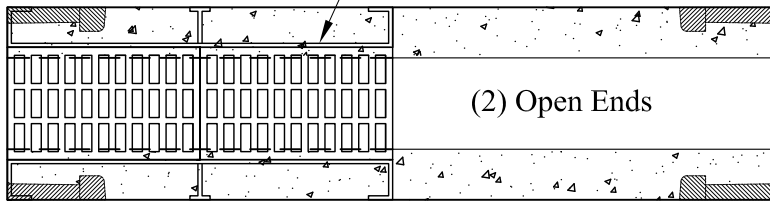
1-800-639-2199

Fax (603) 224-2927

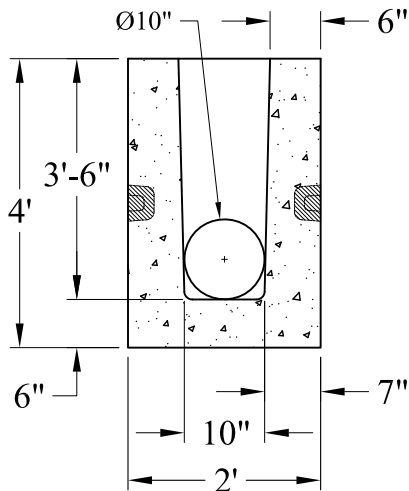
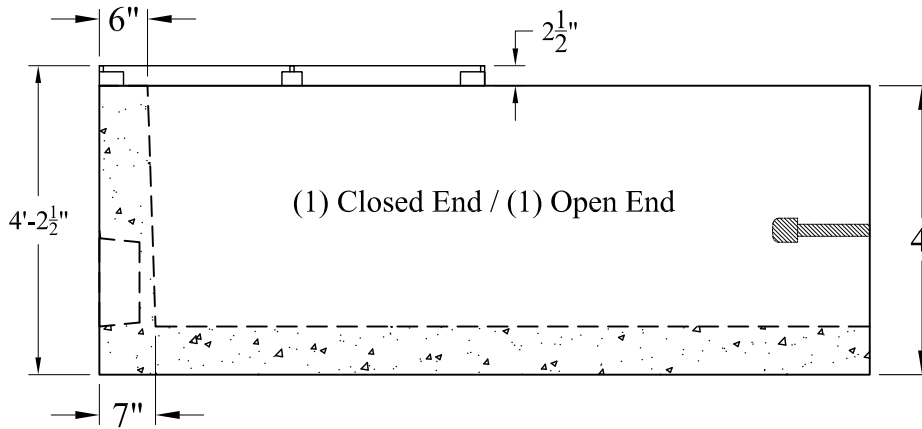
Trench Drains 4Ft Deep HD 8ft Trench Drain (v)



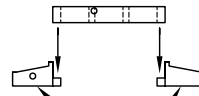
Partial Frame & Grate Shown



Bolt Pocket  
Connect Sections  
Together With 2  
Threaded Rod  
Assembly Part#  
FLD-INSTKIT  
#4026 at Each Joint



Cast Iron Grate



Frame

Style	P/N	Est. Weight
8' Open Ends	TD4D-80	5,915 Lbs
8' Closed Ends	TD4D-8C	5,915 Lbs
8' Open End / Closed End	TD4D-80C	5,915 Lbs

**General Notes**

1. Reinforcing Steel ASTM A-615 Grade 60
2. Concrete:  $f_c = 5,000$  psi @ 28 Days Min.
3. Design Loading: AASHTO-HS20-44
4. Available in 8' Sections

**Phoenix  
Precast  
Products**

**4' Deep  
Heavy Duty  
Trench Drain**

P/N: See Above

**Phoenix Precast Products**

**Phoenix Precast Products**