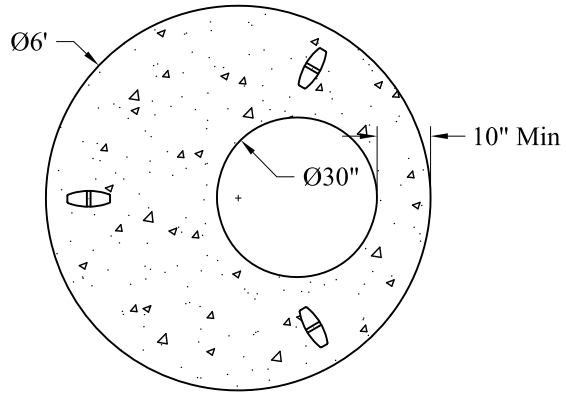
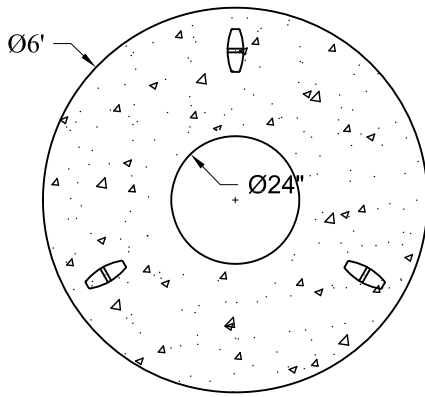


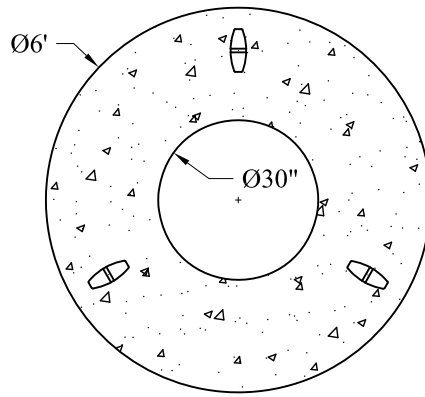
P/N: MH5-TS24OFFBT8
24" Offset Opening
Est Weight: 2,490 Lbs



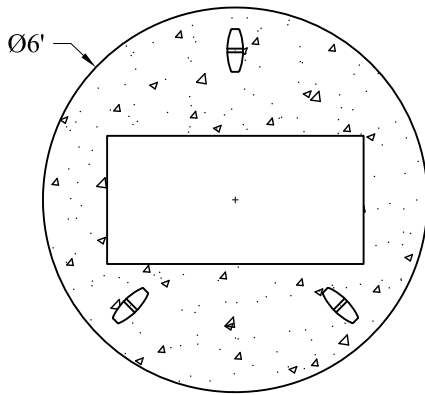
MH5-TS30OFFBT8
30" Offset Opening
Est Weight: 2,315 Lbs



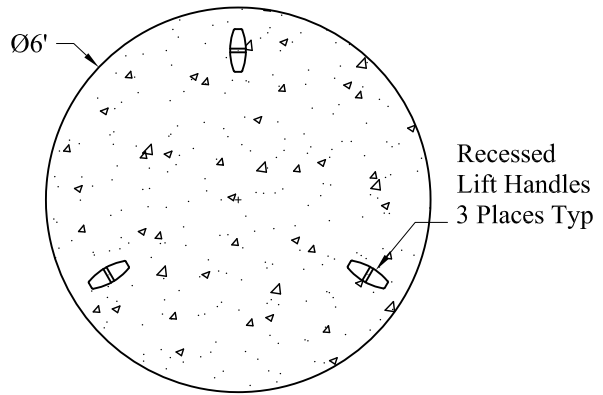
P/N: MH5-TS24CLBB8
24" Centerline Opening
Est Weight: 2,490



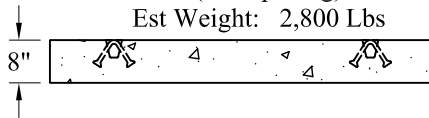
P/N: MH5-TS30CLBB8
30" Centerline Opening
Est Weight: 2,315 Lbs



P/N: MH5-TS24X48BT8
24" x 48" Opening
Est Weight: 2,010 Lbs



MH5-TSSOLIDBB8
Solid (No Opening)
Est Weight: 2,800 Lbs



General Notes

1. Steel Reinforcement Conforms to Latest ASTM Specifications:
ASTM-A615 Grade 60 Black Deformed Bars
ASTM-A185 Welded Wire Fabric
2. Concrete: $f_c = 4,000$ psi @ 28 Days Minimum
3. Design Loading: AASHTO- HS20-44

Phoenix
Precast
Products

6' O.D. Dry Well
Top Slab Options