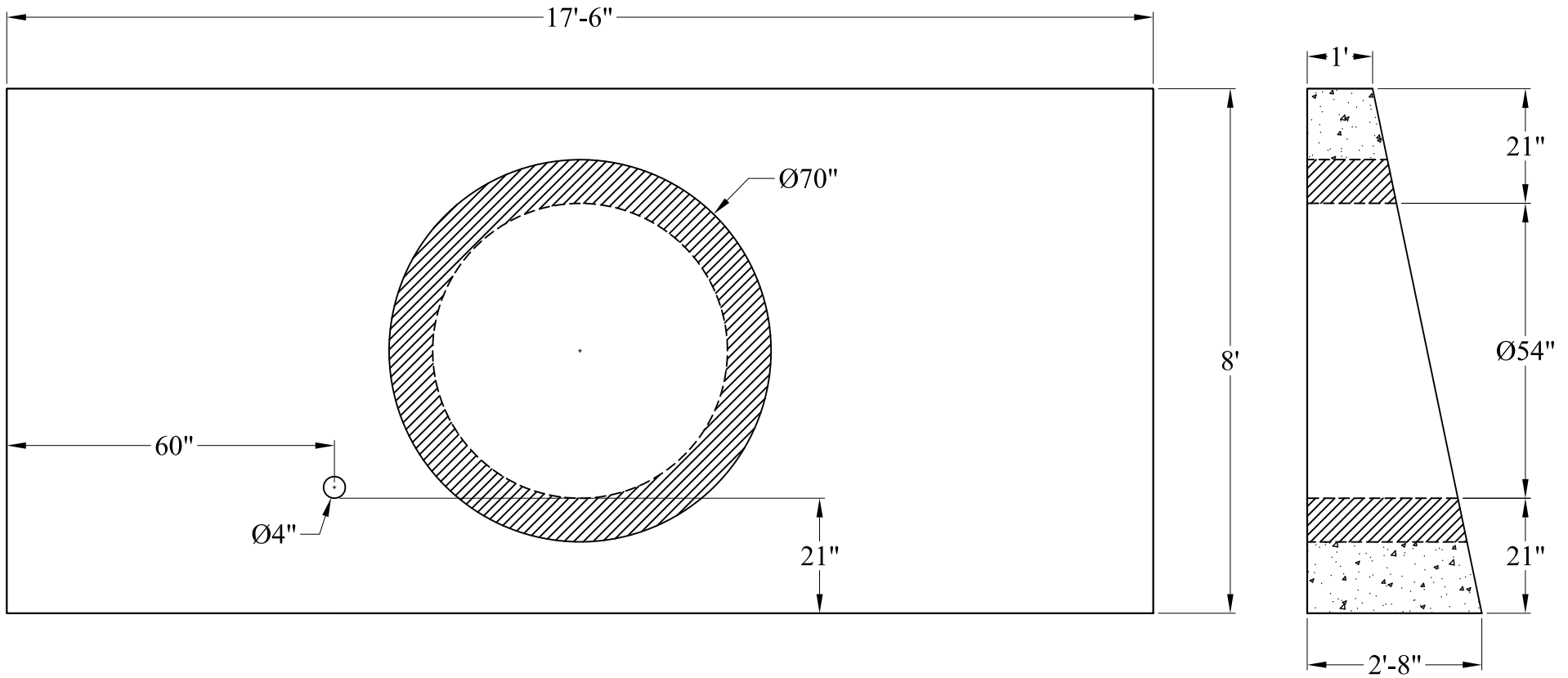


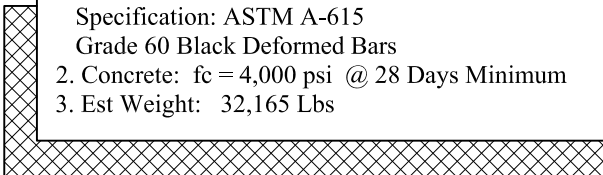
Phoenix Precast Products

Phoenix Precast Products



General Notes

1. Steel Reinforcement Conforms to Latest ASTM Specification: ASTM A-615 Grade 60 Black Deformed Bars
2. Concrete: $f_c = 4,000$ psi @ 28 Days Minimum
3. Est Weight: 32,165 Lbs



Phoenix
Precast
Products

N.H. DOT
54" RCP Headwall

P/N: HWSDOT-54