

1-800-639-2199

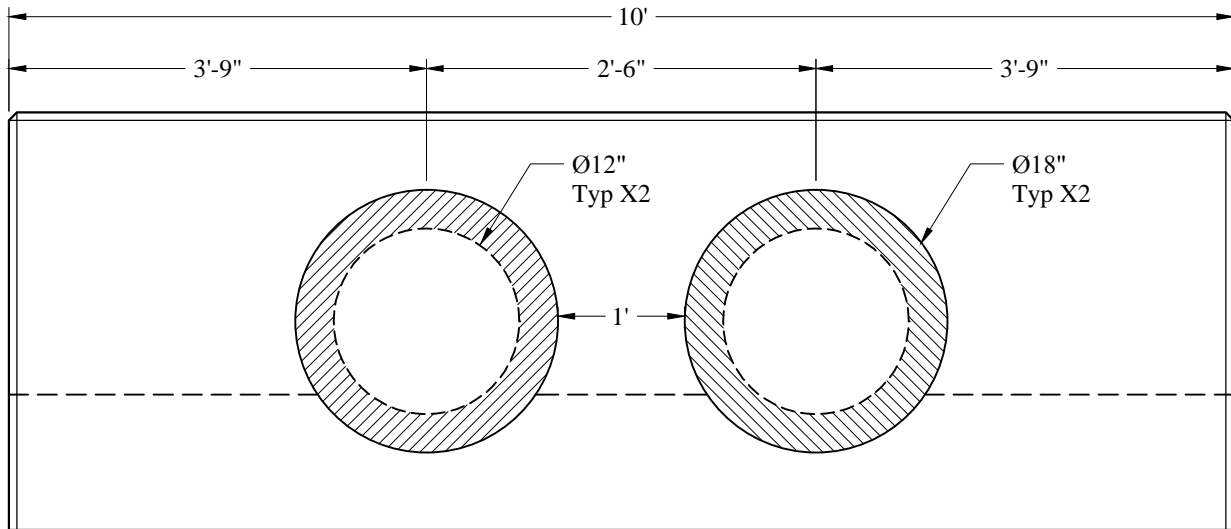
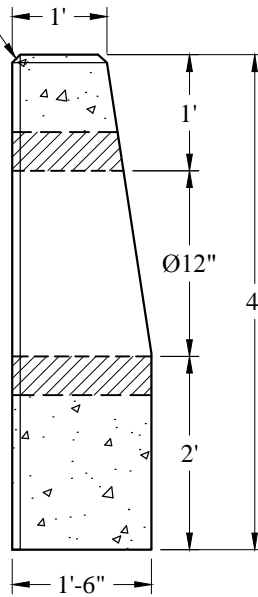
Fax (603) 224-2927

Headwall\Standard\Straight\Dual 12in Phoenix Standard HW (v)

Phoenix Precast Products

Phoenix Precast Products

1" Chamfer All Exposed Surfaces



**General Notes**

1. Steel Reinforcement Conforms to Latest ASTM Specification: ASTM A-615 Grade 60 Black Deformed Bars
2. Concrete:  $f_c = 4,000$  psi @ 28 Days Minimum
3. Est Weight: 7,500 Lbs

Phoenix  
Precast  
Products

Phoenix Standard  
Dual Headwall  
12" Pipe

P/N: HW-D12