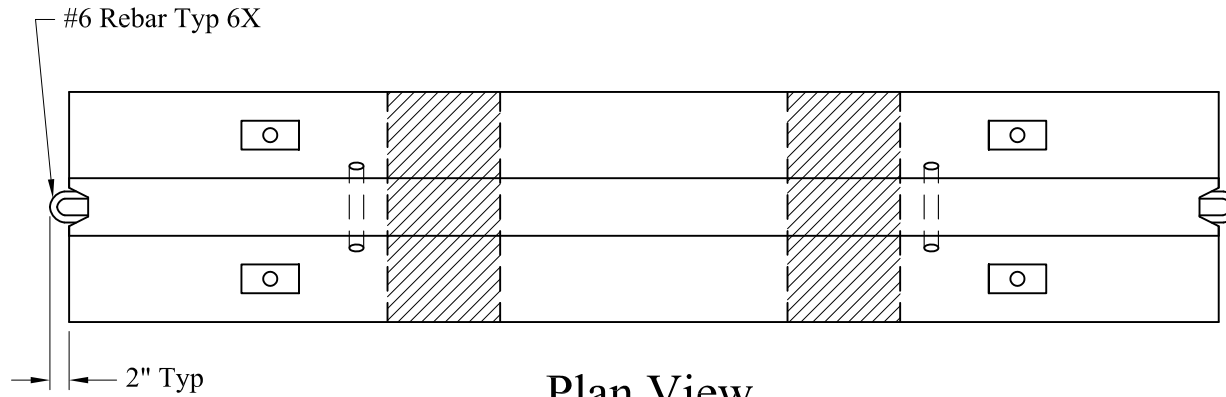
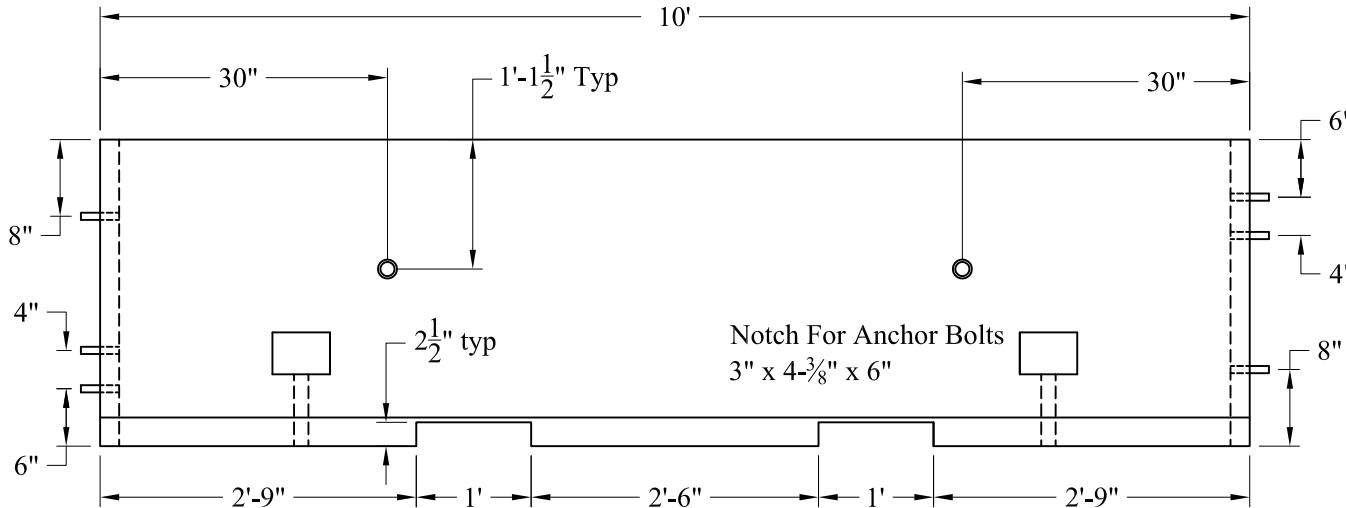


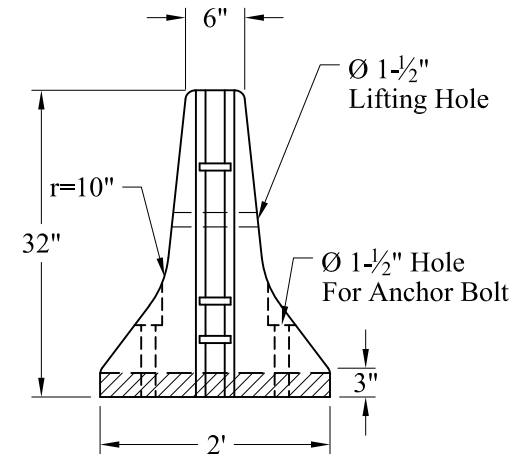
- 1.) Reinforcement: ASTM A-615, Grade 60, With Minimum 2" Cover
- 2.) Concrete: 4,000 PSI @ 28 Days Minimum
- 3.) All Exposed Edges of Concrete Shall Have a $\frac{3}{4}$ " Radius Except as Shown.
- 4.) Est Weight: 4000 Lbs
- 5.) Reference PCB4-3LP10



Plan View



Elevation View



End View

Phoenix Precast Products

Phoenix Precast Products

Phoenix
Precast
Products

NH DOT
Portable Concrete
Barrier

P/N: TCB-NHDOT