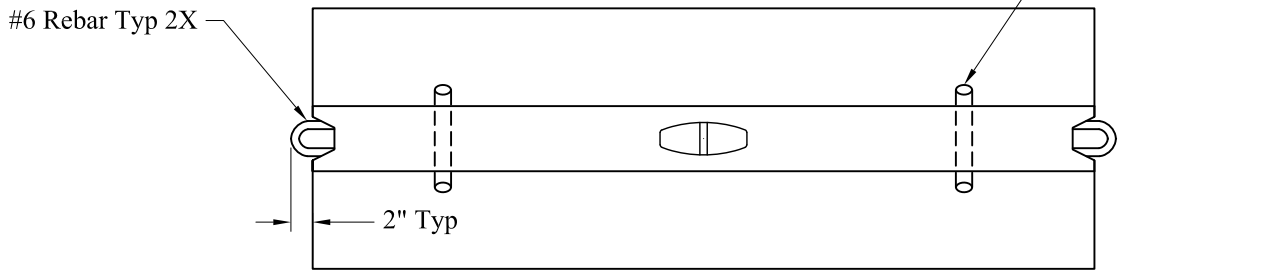
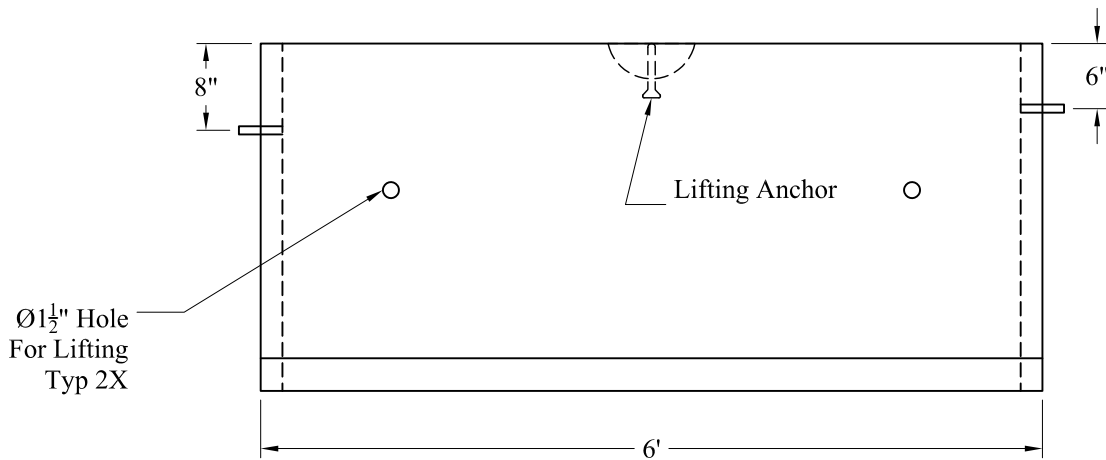


End View



Plan View



Elevation View

Est Weight: 2,400 Lbs

General Notes

1. Concrete: f'c = 4,000 psi @ 28 Days Minimum.
2. Reinforcing Steel Conforms to Latest ASTM Specification: ASTM-A615 Grade 60 Black Deformed Bars

Phoenix
Precast
Products

6' Portable
Concrete Barrier

P/N: TCB-6

Concord, NH 03301