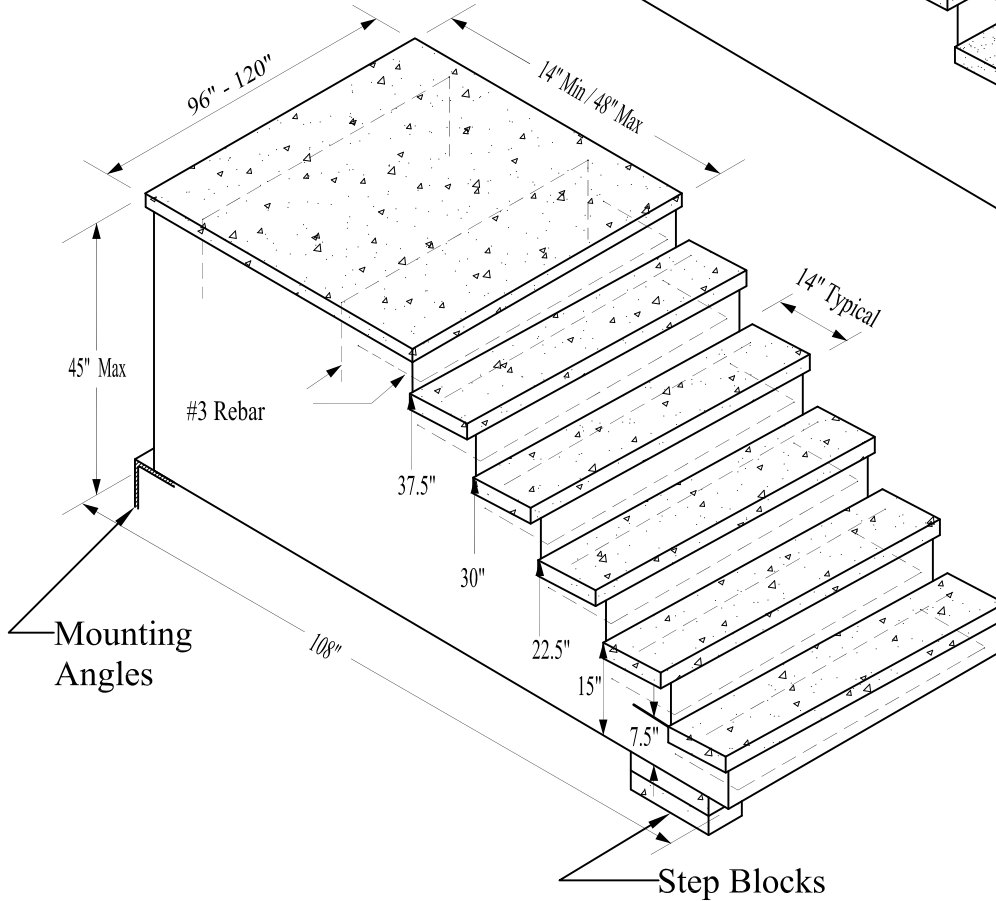
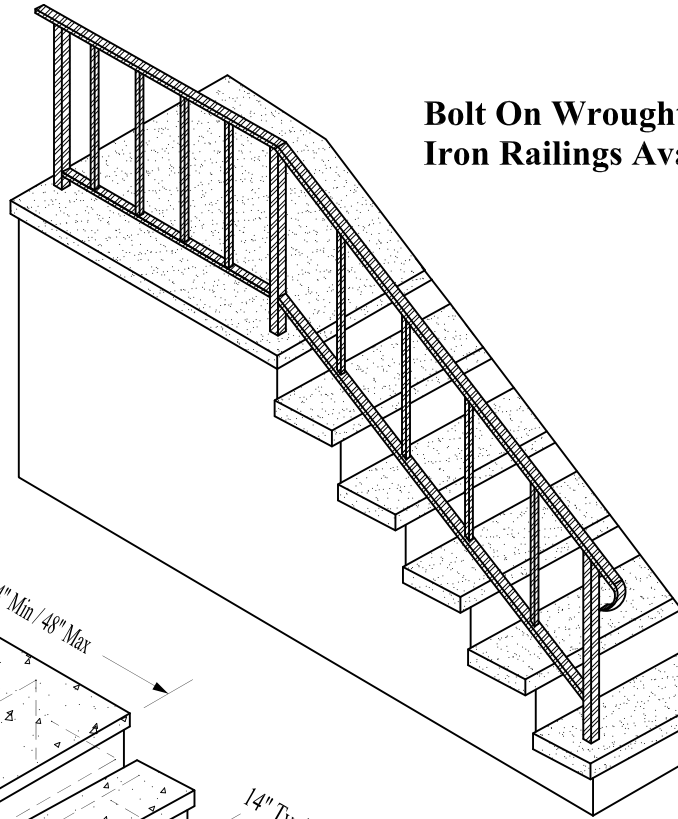


# Steps Available In 8' And 10' Widths

**Choose Steps At Least 12"  
Wider Than Door Opening**

**Step Rise - 7-1/2"  
Tread Depth - 14"**

**Bolt On Wrought  
Iron Railings Available**



Phoenix Precast Products

Phoenix Precast Products

**General Notes**

- 1.) Concrete:  $f_c = 4,000$  PSI Minimum After 28 Days Minimum
- 2.) Broom Finish Supplied
- 3.) Blocks and Angles Attached To Poured Foundation By Phoenix Precast
- 4.) Optional Concrete Slab, Sono Tubes or Compacted Crushed Gravel By Others

**Phoenix  
Precast  
Products**

**8' & 10' Precast Steps  
Custom Platform  
Depths Available**