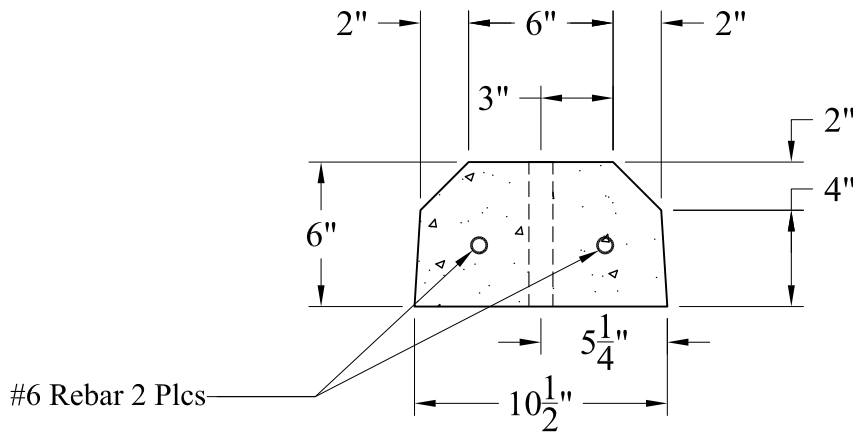
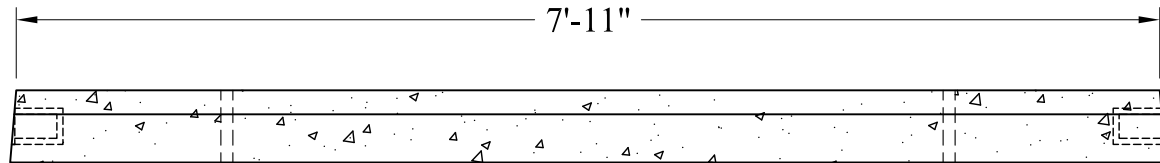


Ø3/4" Hole



General Notes

1. Concrete:  $f_c = 4,000$  psi @ 28 Days Minimum
2. Supplied With or Without Locating Pins
3. Locating Pins = #4 Rebar x 18" Long
4. Est. Weight = 460 Lbs

Phoenix  
Precast  
Products

Truck Parking  
Bumpers

P/N: PB-TRUCK

Concord, NH 03301