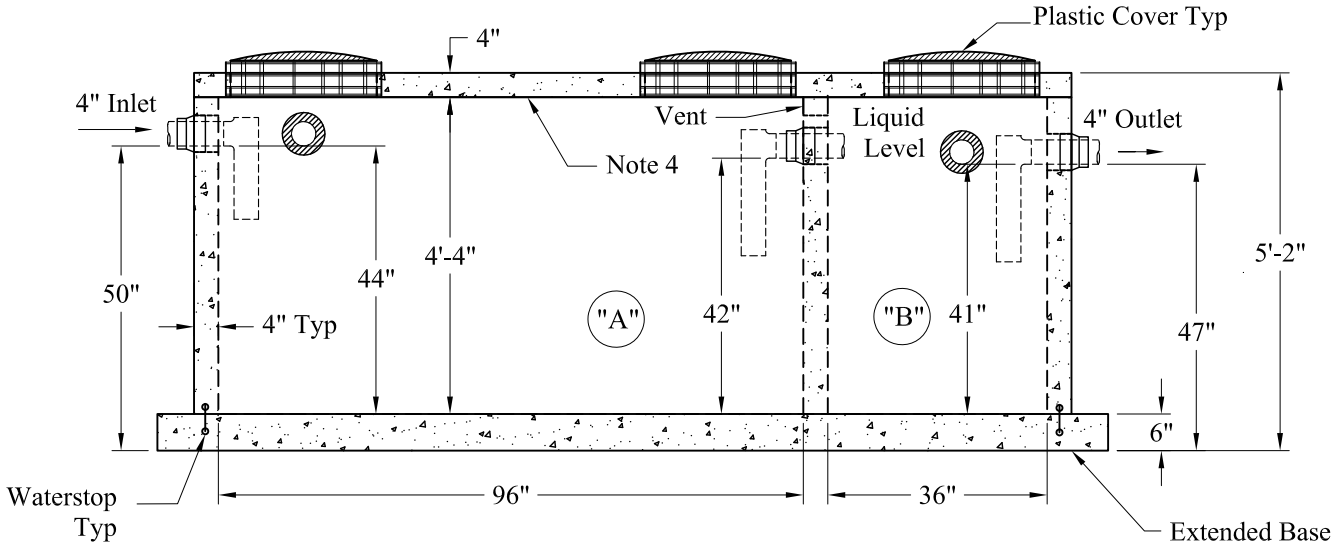
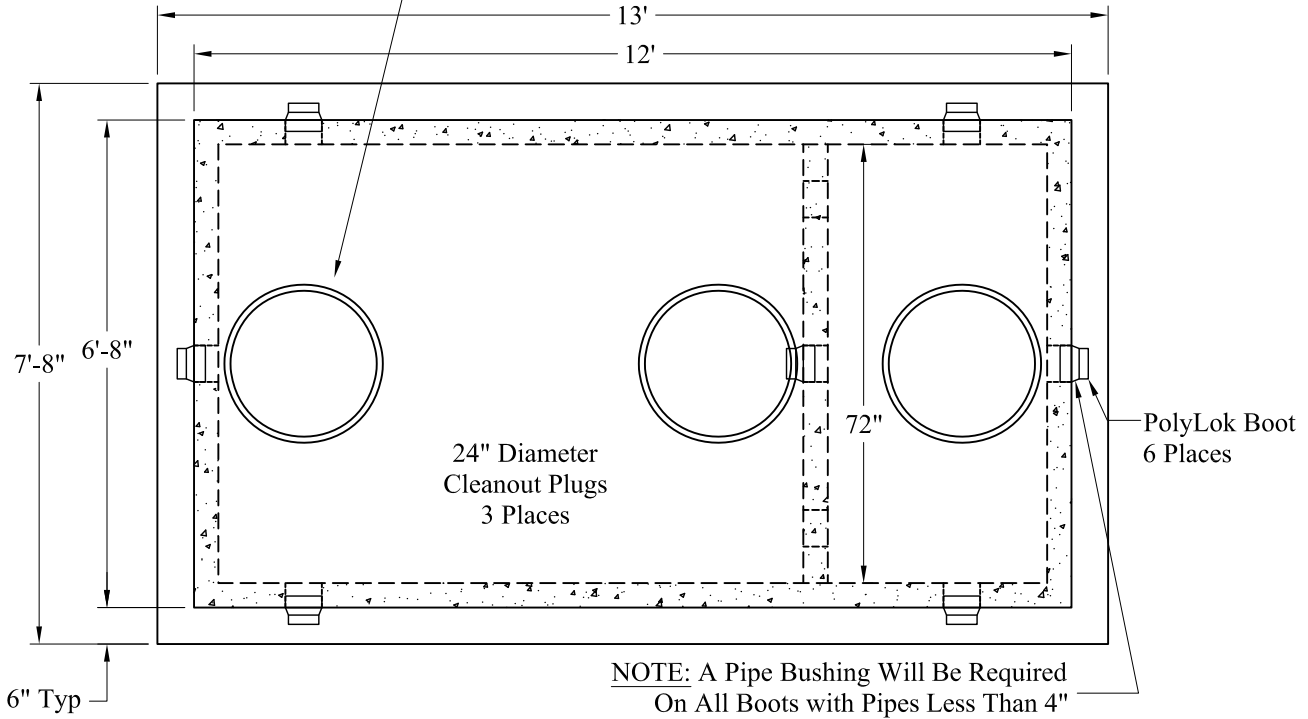


Standard Cover Configuration
Is (3) 24" Dia Plastic Risers
Cast In, With Plastic Covers



General Notes

1. Steel Reinforcement Conforms to Latest ASTM Specifications: ASTM-A615 Grade 60 Rebar
2. Concrete: $f_c = 4,000$ psi @ 28 Days Minimum
3. Flexible Sleeves Used On All Pipe Openings
4. Butyl Rubber Joint Sealant Provided
5. Internal PVC Baffles Available
- Inlet: Shall Penetrate at Least 9" Below the Liquid Level, But Not Deeper Than the Outlet Baffle.
- Outlet: Shall Extend Below the Surface of the Liquid Equal to 40% of the Liquid Depth (16").
6. LD Tanks: 3' Cover Max, Non-Traffic
7. Exterior Asphalt Dampproofing Applied
8. Exterior Joint Wrap 6" Wide (Optional)
9. Complied with NH DES 1008.02(c)

"A" Liquid Level = 360 Gals/VF(30Gals/In)
 "B" Liquid Level = 135 Gals/VF(11Gals/In)
 "A" = 1,260 Gals
 "B" = 472 Gals
 Total = 1,732 Gals

Est. Weights:
 Top Slab: 3,900 Lbs
 Base: 16,340 Lbs
 Total: 20,240 Lbs

**Phoenix
Precast
Products**

1,250/500 Gallon
LD 2 Compartment
Top Seam Tank
NH DES 1008.02

P/N: ST-1250/500DESMLD

Concord, NH 03301