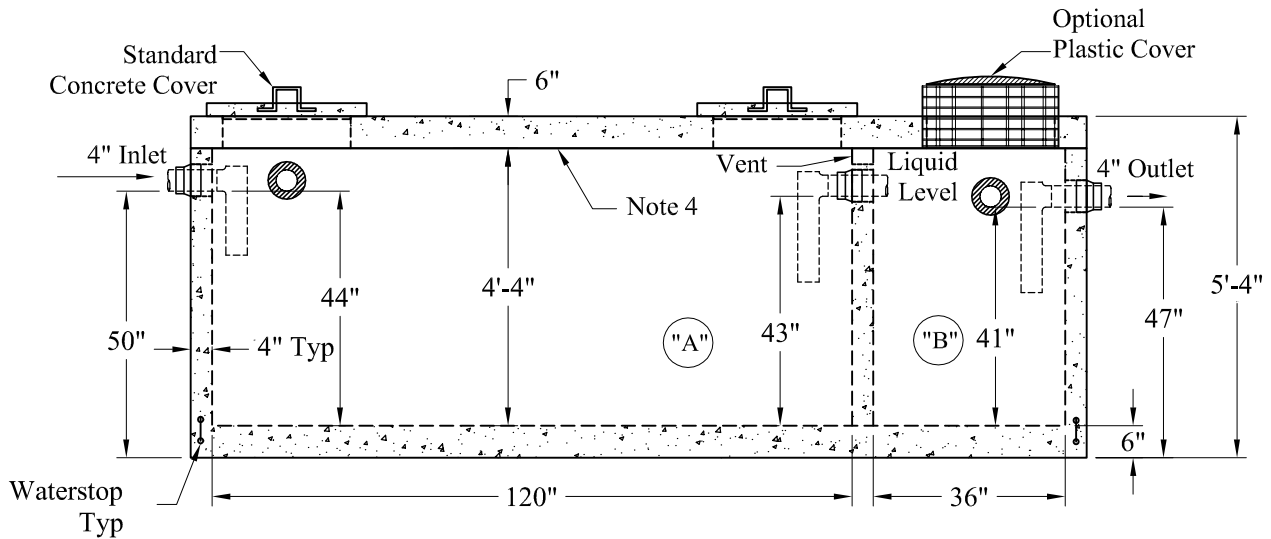


NOTE: A Pipe Bushing Will Be Required On All Boots with Pipes Less Than 4"



**General Notes**

1. Steel Reinforcement Conforms to Latest ASTM Specifications: ASTM-A615 Grade 60 Rebar
2. Concrete:  $f_c = 4,000$  psi @ 28 Days Minimum
3. Flexible Sleeves Used On All Pipe Openings
4. Butyl Rubber Joint Sealant Provided
5. Internal PVC Baffles Available
- Inlet: Shall Penetrate at Least 9" Below the Liquid Level, But Not Deeper Than the Outlet Baffle.
- Outlet: Shall Extend Below the Surface of the Liquid Equal to 40% of the Liquid Depth (16").
6. HD Tanks: 3' - 6' Cover Max, Non-Traffic

"A" Liquid Level = 450 Gals/VF (38Gals/In)

"B" Liquid Level = 135 Gals/VF (11Gals/In)

"A" = 1,611 Gals

"B" = 462 Gals

Total = 2,073 Gals

Est. Weights:

Top Slab: 6,220 Lbs

Base: 16,640 Lbs

Total: 22,860 Lbs

Phoenix  
Precast  
Products

1,600/500 Gallon  
HD 2 Compartment  
Top Seam Tank

P/N: ST-1600/500MHD