

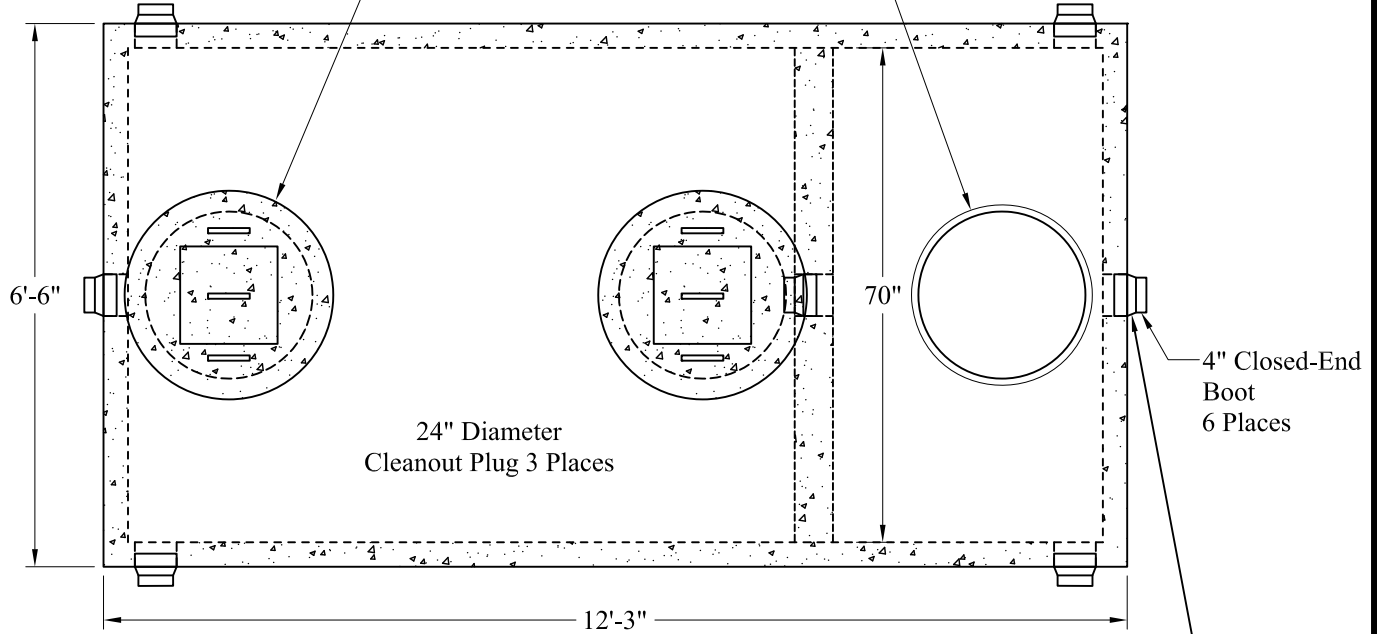
1-800-639-2199

Fax (603) 224-2927

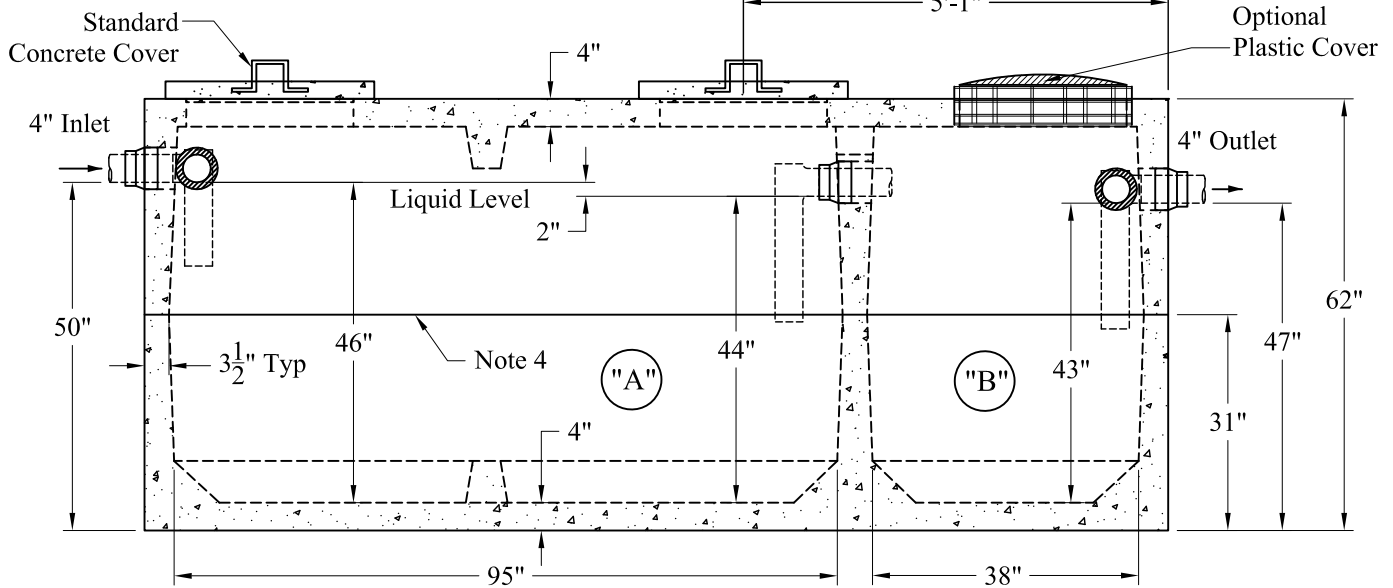
Tanks\Compartment2 Comp\1750 LD 1250-500 2-Comp Mid-Seam Tank (New Form)

Standard Cover Configuration
Is (3) 24" Dia Concrete Covers

Optional Cover Configuration
Is (3) 24" Dia Plastic Risers
Cast In, With Plastic Covers



NOTE: A Pipe Bushing Will Be Required
On All Boots with Pipes Less Than 4"



General Notes

1. Steel Reinforcement Conforms to Latest ASTM Specifications: ASTM-A615 Grade 60 Rebar
 2. Concrete: $f_c = 4,000$ psi @ 28 Days Minimum
 3. Flexible Sleeves Used On All Pipe Openings
 4. Butyl Rubber Joint Sealant Provided
 5. Internal PVC Baffles Available
- Inlet: Shall Penetrate at Least 9" Below the Liquid Level, But Not Deeper Than the Outlet Baffle.
- Outlet: Shall Extend Below the Surface of the Liquid Equal to 40% of the Liquid Depth (17").
6. LD Tanks: 3' Cover Max, Non-Traffic

"A" Liquid Level = 345 Gals/VF (29 Gals/In)

"B" Liquid Level = 140 Gals/VF (12 Gals/In)

"A" = 1,266 Gals

"B" = 501 Gals

Total = 1,767 Gals

Est Weight:

Upper: 7,900 Lbs

Lower: 9,360 Lbs

Total: 17,260 Lbs

Phoenix
Precast
Products

1250/500 Gallon LD
2 Compartment Tank

P/N: ST-1250/500LD

Concord, NH 03301