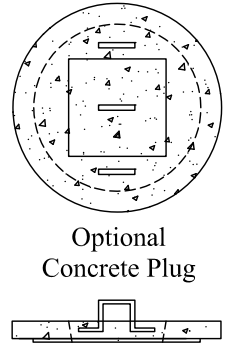
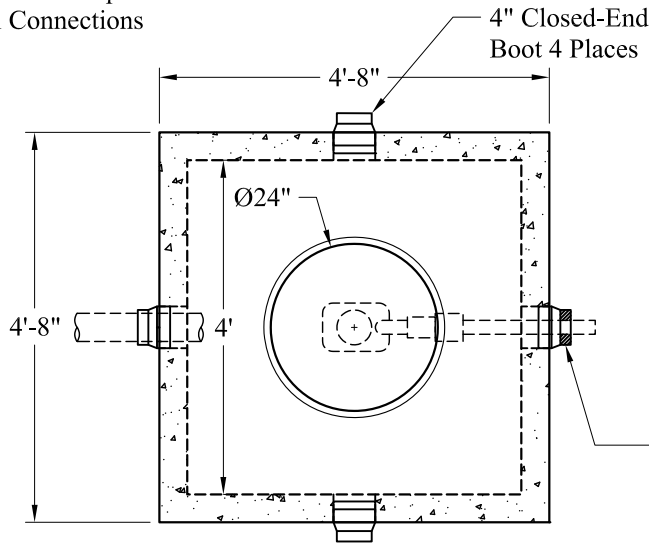


1-800-639-2199

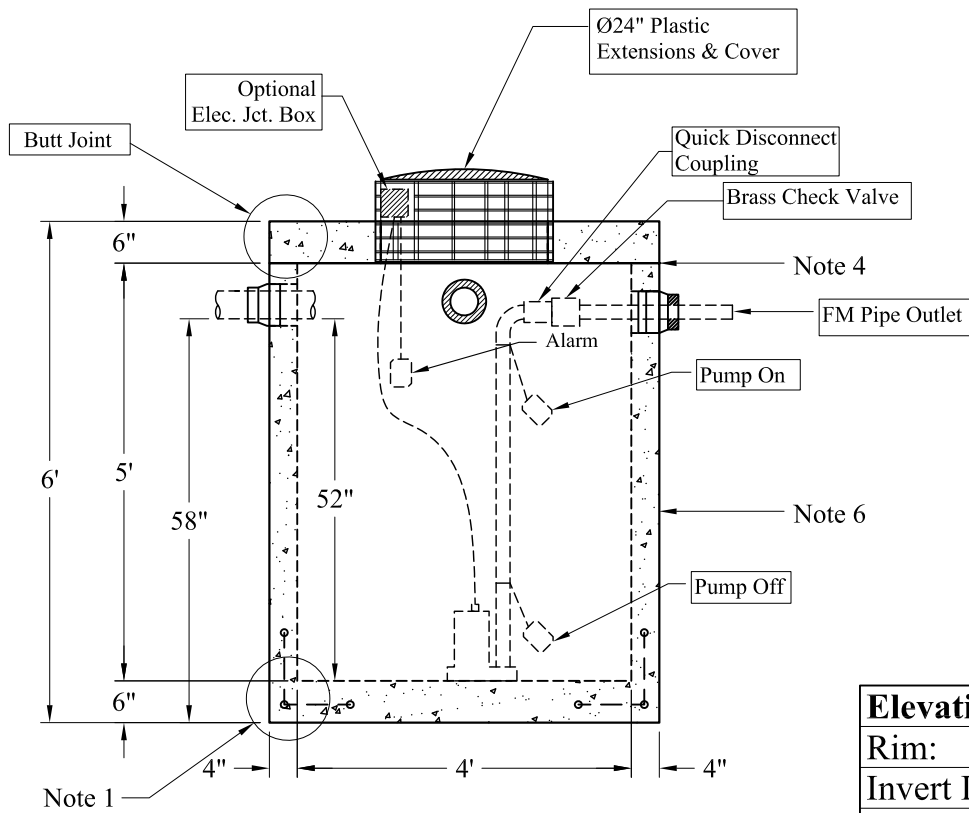
Fax (603) 224-2927

Pump Stations\Standard\4 ft x4ft 500 Gallon Pump Pit HD

Pumps and Related Accessories are Optional.
Junction Box And Electrical Connections
Installed By Others



NOTE: A Pipe Bushing
Will Be Required On All
Boots with Pipes Less Than 4"



Elevations:	
Rim:	
Invert In:	
Alarm On:	
Pump On:	
Pump Off:	
Inside Floor:	

General Notes

- 1.) Reinforcement Steel Conforms To Latest ASTM A 615 Specifications, Grade 60
- 2.) Concrete: $f_c = 5,000$ psi @ 28 Days Minimum
- 3.) Flexible Boots Provided
- 4.) Butyl Rubber Joint Sealant Provided
- 5.) Liquid Capacity: 120 Gallons/VF (10 Gallons/Inch)
- 6.) Exterior Coating Available
- 7.) HD Tanks: 3' - 6' Cover, Non-Traffic

Est. Weight:

Top Slab: 1,400 Lbs
Base: 5,840 Lbs
Total: 7,240 Lbs

Phoenix
Precast
Products

500 Gallon HD
(4' x 4' x 5')
Pump Chamber

P/N: PC-500SQHD