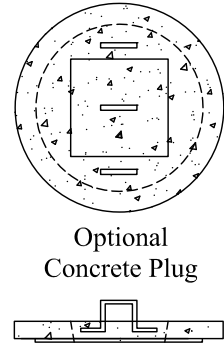
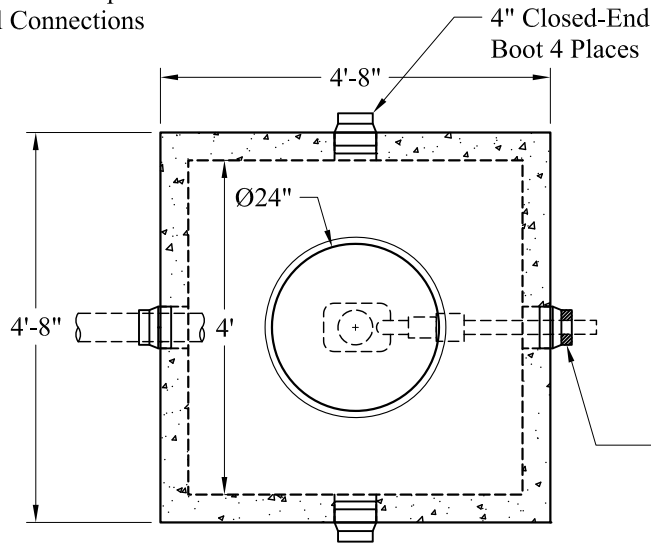
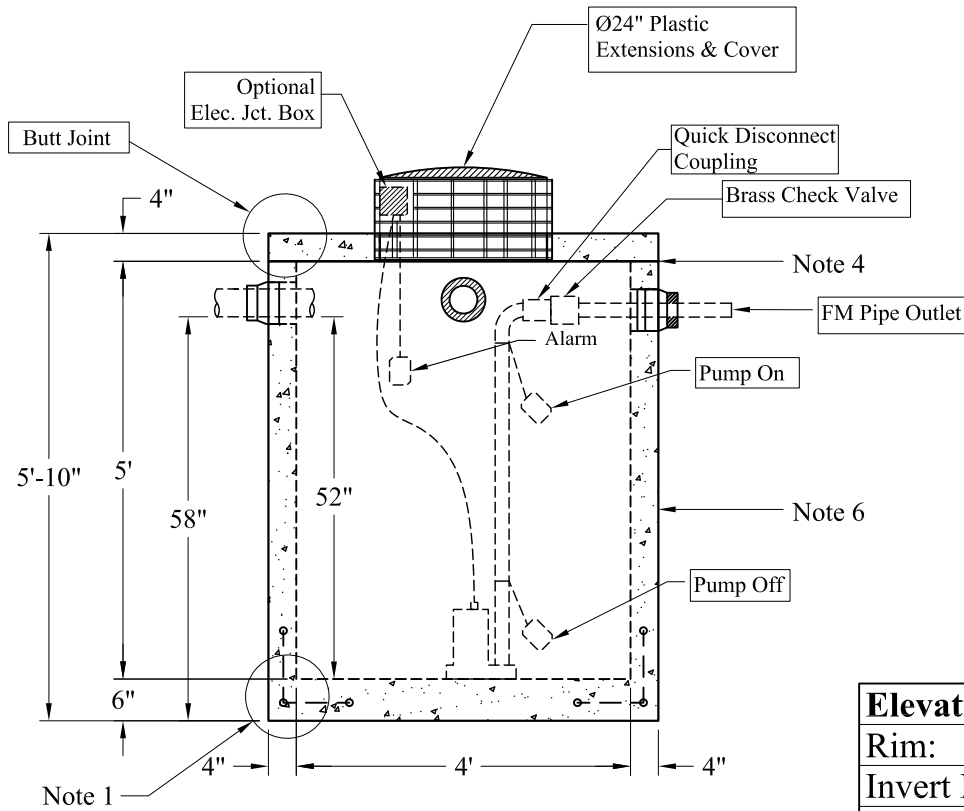


Pumps and Related Accessories are Optional.  
Junction Box And Electrical Connections  
Installed By Others



NOTE: A Pipe Bushing  
Will Be Required On All  
Boots with Pipes Less Than 4"



Elevations:	
Rim:	
Invert In:	
Alarm On:	
Pump On:	
Pump Off:	
Inside Floor:	

**General Notes**

- 1.) Reinforcement Steel Conforms To Latest ASTM A 615 Specifications, Grade 60
- 2.) Concrete:  $f_c = 5,000$  psi @ 28 Days Minimum
- 3.) Flexible Boots Provided
- 4.) Butyl Rubber Joint Sealant Provided
- 5.) Liquid Capacity: 120 Gallons/VF (10 Gallons/Inch)
- 6.) Exterior Coating Available
- 7.) LD Tanks: 3' Cover, Non-Traffic

**Est. Weight:**

Top Slab:	900 Lbs
Base:	5,850 Lbs
Total:	6,750 Lbs

Phoenix  
Precast  
Products

500 Gallon LD  
(4' x 4' x 5')  
Pump Chamber

P/N: PC-500SQLD