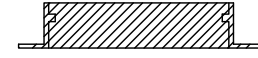
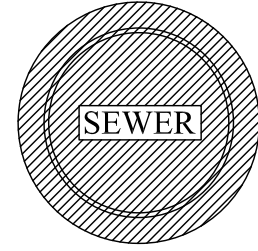
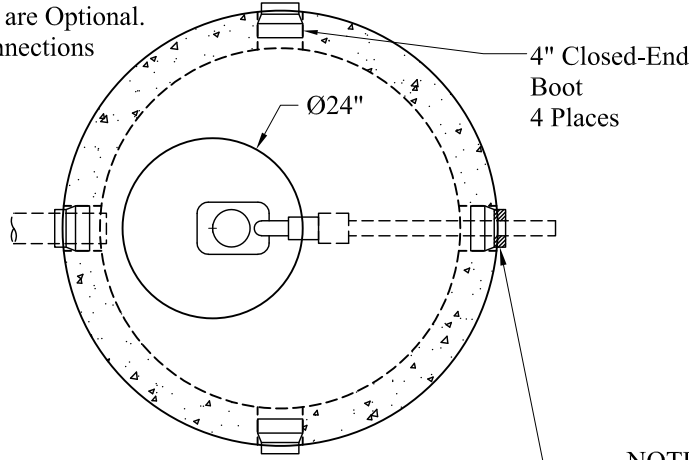
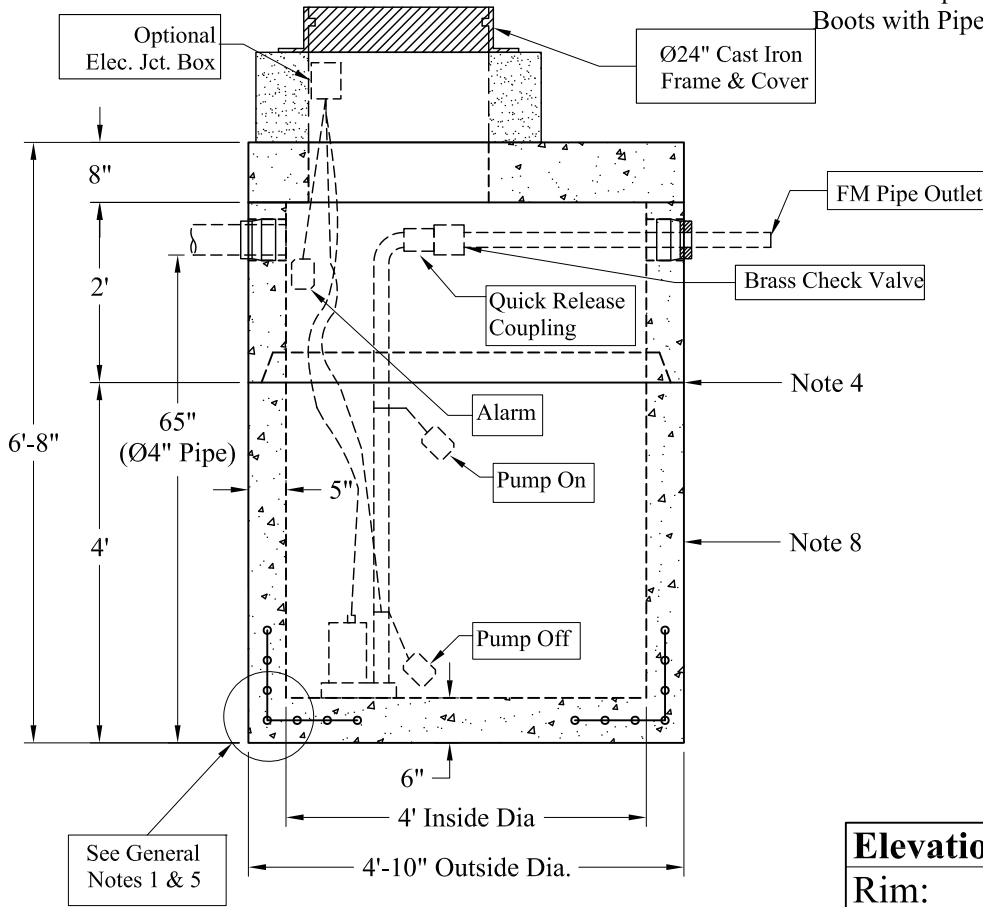


Pumps and Related Accessories are Optional.  
Junction Box and Electrical Connections  
Installed by Others



Ø24" Cast Iron Frame & Cover

NOTE: A Pipe Bushing  
Will Be Required on all  
Boots with Pipes Less Than 4"



See General  
Notes 1 & 5

<b>Elevations:</b>	
Rim:	
Invert In:	
Alarm On:	
Pump On:	
Pump Off:	
Inside Floor:	

**General Notes**

- 1.) Reinforcement Steel Conforms To Latest ASTM A 185 Specifications: 0.12 Sq. In. / Lineal Ft. And 0.12 Sq./In. (Both Ways) Base Bottom
- 2.) Concrete:  $f_c = 4,000$  psi @ 28 Days Minimum
- 3.) Manhole Design:  
Conforms To The Latest ASTM C478 Specifications For "Precast Reinforced Concrete Manhole Sections".  
Design Loading: AASHTO-HS20-44
- 4.) Butyl Rubber Joint Sealant Provided
- 5.) One Pour Monolithic Base Section
- 6.) Liquid Capacity: 94 Gallons/VF (8 Gallons/Inch)
- 7.) Flexible Boots Provided
- 8.) Exterior Coating Available

**Est. Weight:**

Top Slab:	2,360 Lbs
2' Riser:	1,760 Lbs
4' Base:	4,520 Lbs
<b>Total:</b>	<b>8,640 Lbs</b>

Phoenix  
Precast  
Products

4' Diameter  
HS-20 450 Gallon  
Pump Chamber

P/N: PC-450HS20

Concord, NH 03301