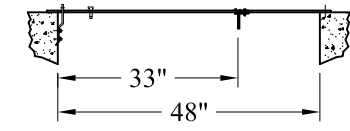
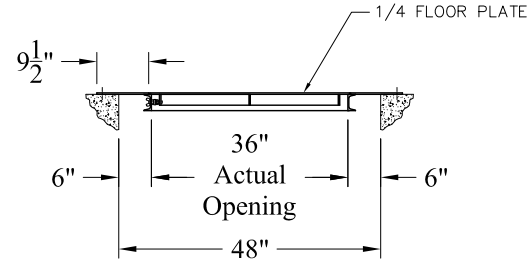
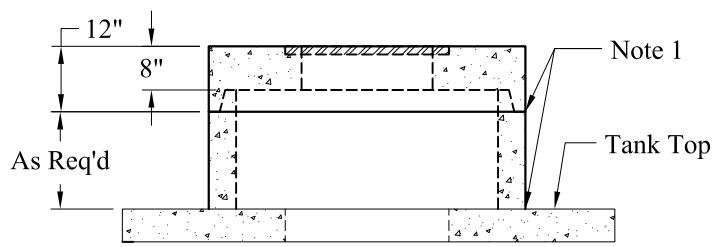
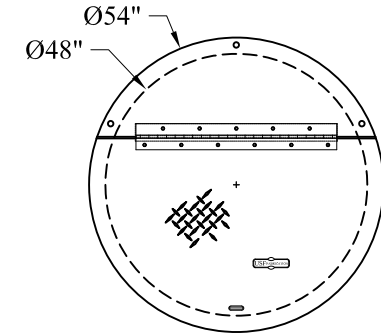
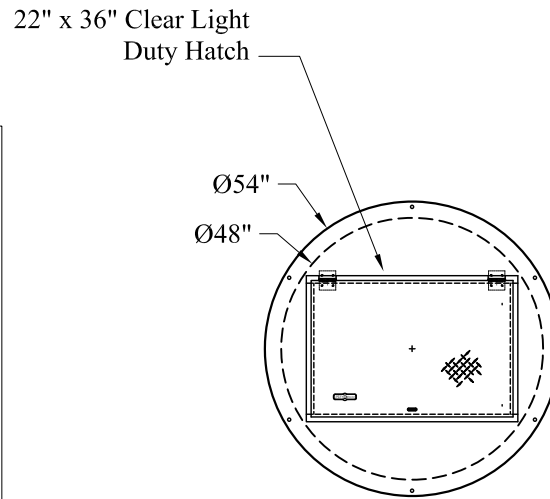
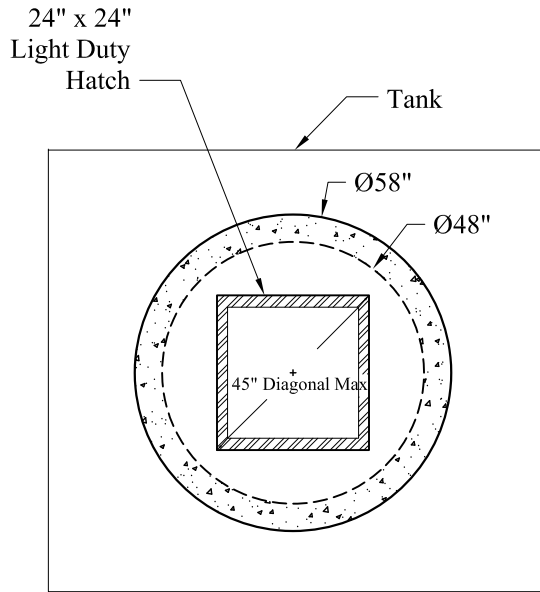


1. Butyl Rubber Joint Sealant Provided
2. Information Required for Cast-In Hatches:
 - a. Hatch Size, Style, and Loading Requirements
 - b. Hinge Location
 - c. Drain Location



Phoenix Precast Products

Phoenix Precast Products

Phoenix
Precast
Products

4' Ø Tank Riser
Hatch Selection

P/N: Custom As Required